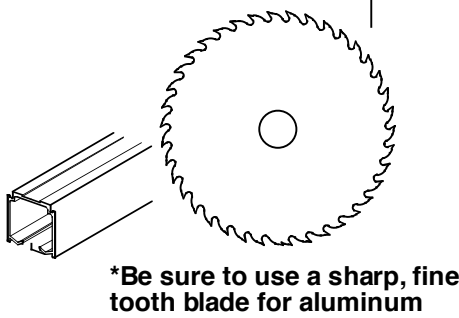


SLIDING with Low Profile mount (XRDLP)

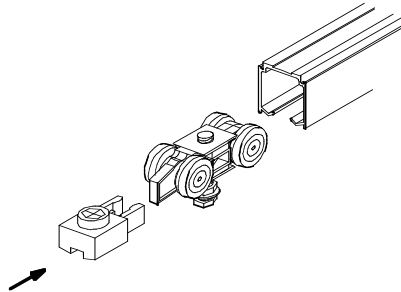


Make sure inside of track is clean and free of any debris!

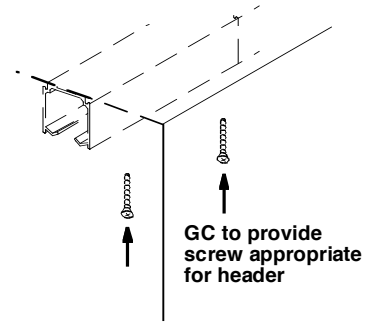
- 1 Cut track to length if necessary and be sure you remove any debris



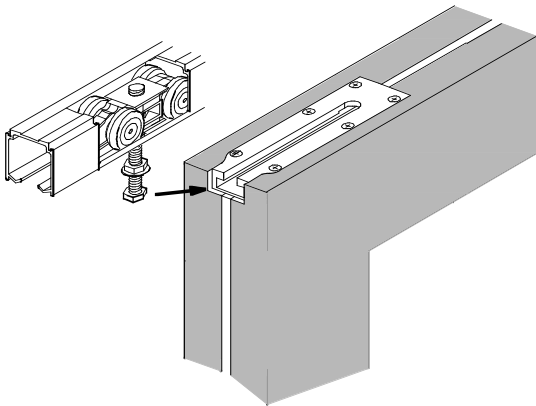
- 2 Insert pre-assembled hanger and track stop into track



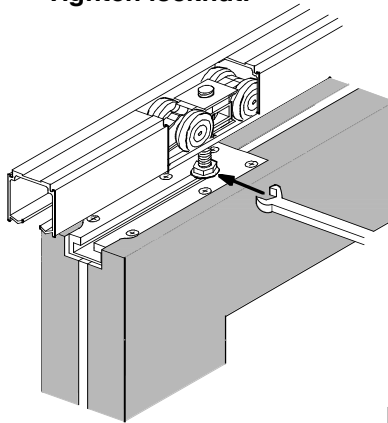
- 3 Secure track to header



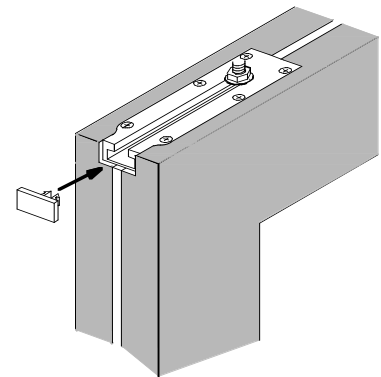
- 4 Hang panel by inserting hanging bolt into side of low-profile mounting plate until bolt seats properly. Repeat at other side of panel.



- 5 Adjust height as necessary by threading bolt up or down with provided wrench and check that panel is level. Tighten locknut.



- 6 Insert caps in mounting plates.

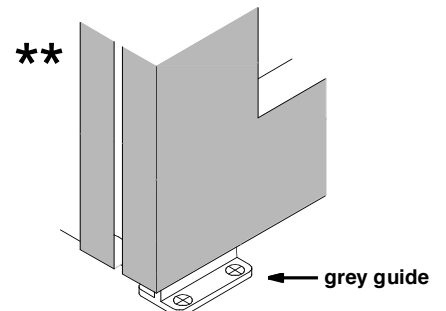
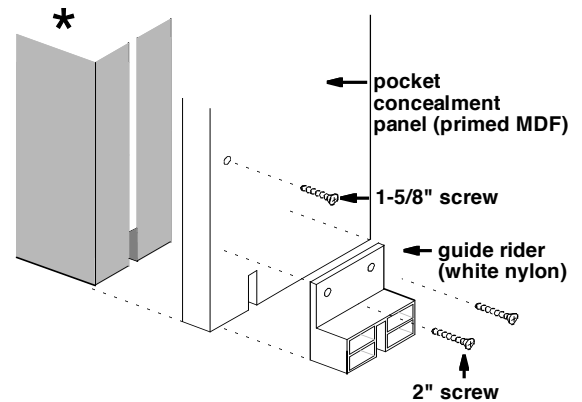
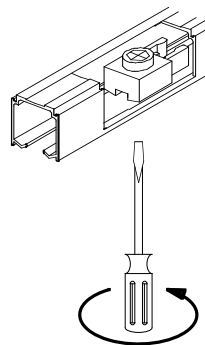


Track must be mounted securely to framing or blocking with #8 pan head screws at least 1-1/2" long. Track must be level even if floor and ceiling are not. Panels can weigh up to 150 lbs. apiece - reinforcement may be necessary. It is the responsibility of the installing contractor to determine. Longer spans will require lengths of track to be fit end to end - be sure both factory edges meet and align carefully. Track has 5.5mm holes every 12" and 2" in from both ends of track.

* **Pocket Doors** - When installing a pocket door be sure to place pocket guide and track before finishing wall. When hanging door, place *Pocket Concealment Panel & Guide Rider* on trailing edge of last panel, aligning with groove on bottom of panel. Do not place a track stop at back of pocket.

** **Grey Guide** - For sliding wing walls, bypassing, and single sliding door systems, grey guides must be placed on the floor. By setting track stops and limiting the doors' travel, grey guides will always be concealed by the door. See operation overview page of your system's standard or verification drawings for locations. For wingwalls and single sliders the centerline of the guide should be 1-3/8" off the adjacent wall on 225 model panels, 1-1/8" on 175 model panels (unless otherwise noted).

- 7 Set track stop.



HD RGS

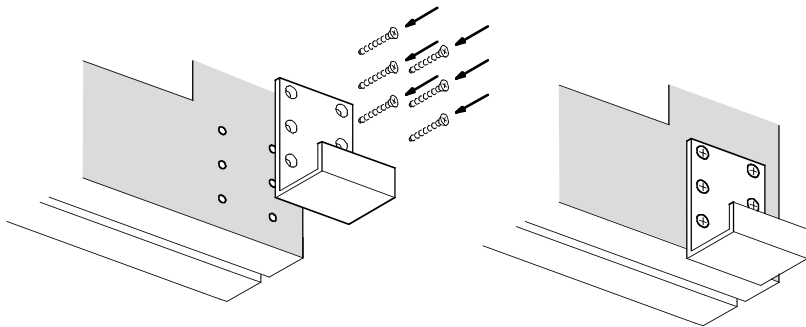
(Heavy-Duty Raydoor Guiding System)

RAYDOOR®
The Art of Division™
INSTALLATION MANUAL ©2013

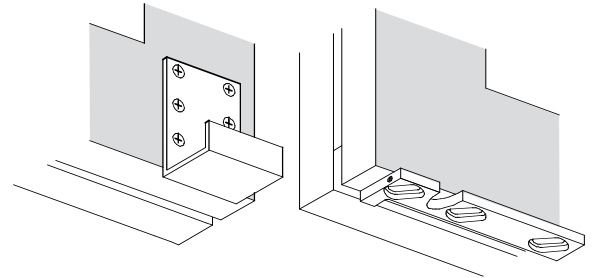


For Sliding Walls, Sliding WingWalls and SlidingPocketWalls

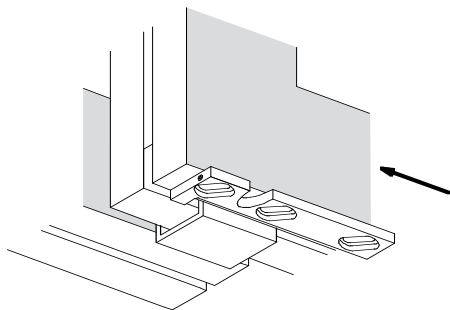
- ① Install Heavy-Duty RGS hooks on faces of doors using provided screws and fastening to marked, pre-drilled locations on doors.



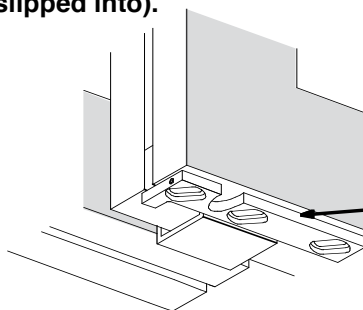
- ② Hang doors without connecting to each other.



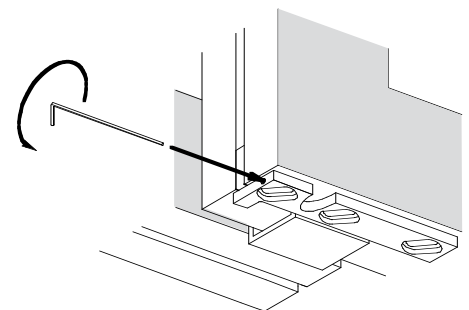
- ③ Slide adjacent door so that hook slips into bottom channel.



- ④ Move sliding stop on bottom of door into closed position (should now block the channel into which hook was just slipped into).

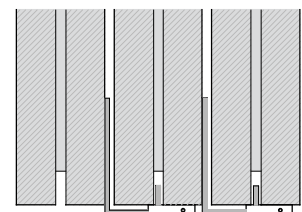


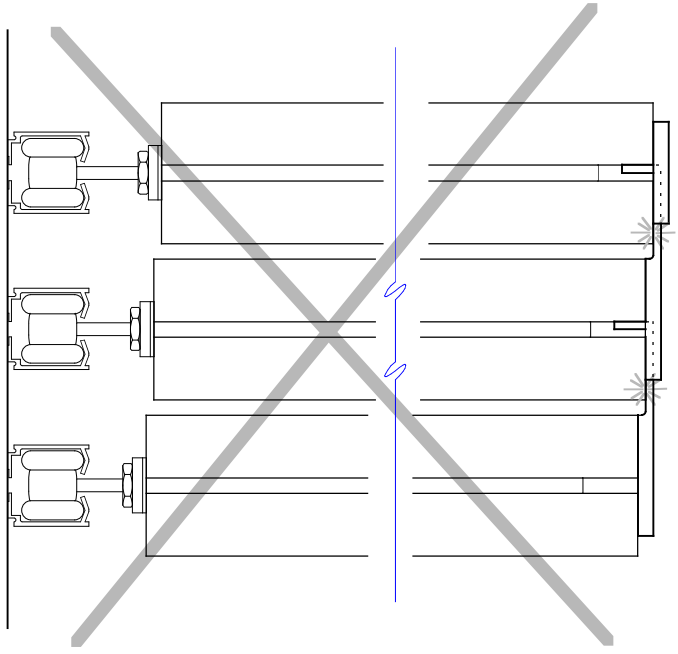
- ⑤ Set sliding stop by tightening set screw with allen wrench



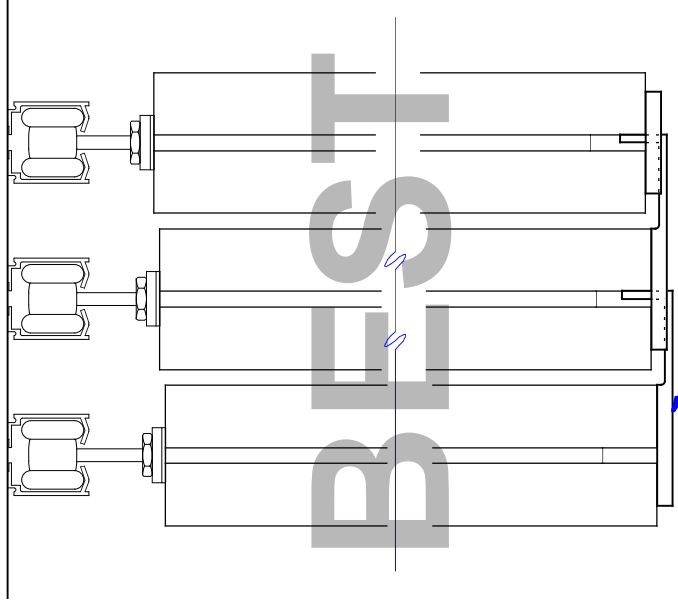
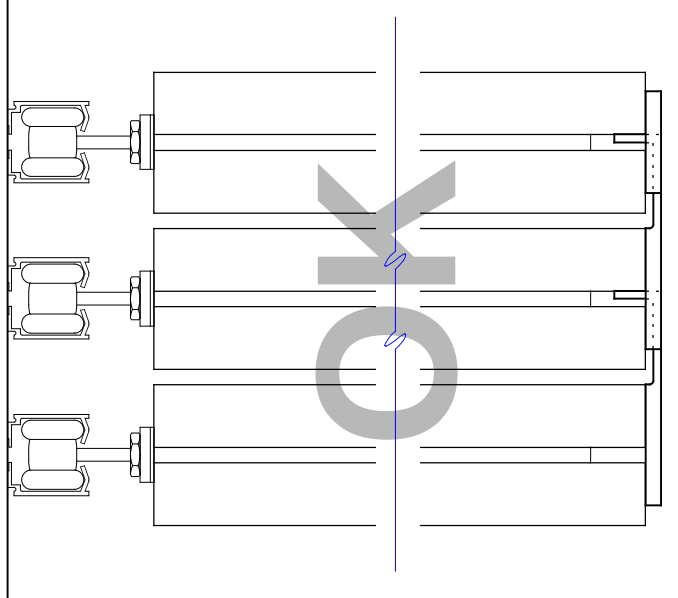
- ⑥ Repeat process with remaining doors until all are connected (hooks should not be able to slide out of bottom groove laterally when complete).

- ⑦ Make sure that doors are hanging at heights such that hooks are not bearing any weight of adjacent doors. If there is any contact between bottom of adjacent frame and hook, doors will not operate properly and may be damaged.





doors with hook set
too high causing
following doors to sit
on hooks and drag



door with first hook
set lowest (trailing
door), each
subsequent door
should be higher