

SSPE4 sliding stacking perpendicular – 4 panel

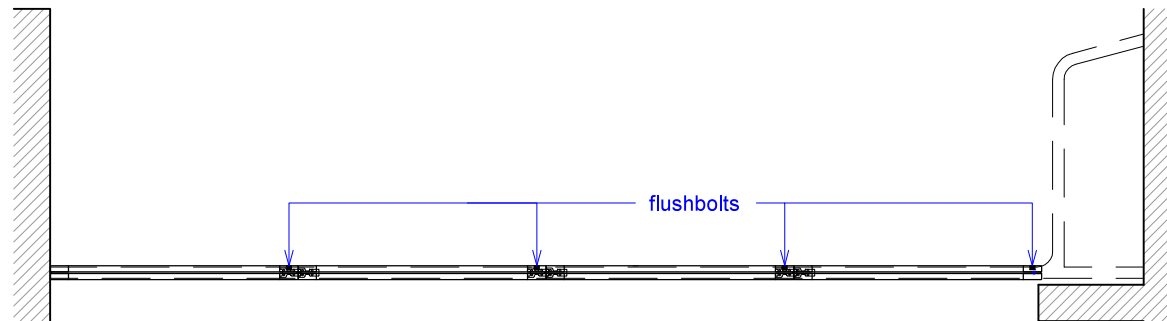
RAYDOOR STANDARD
SYSTEM DRAWINGS
©2016



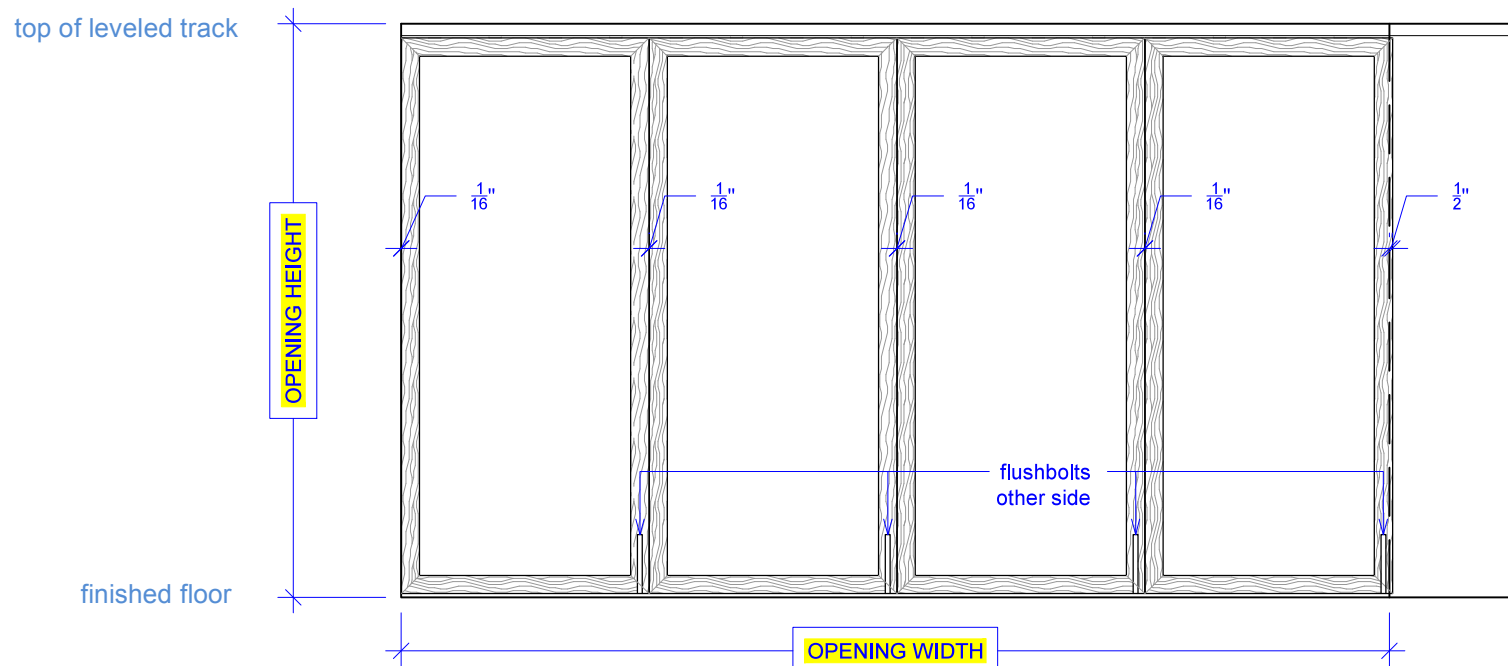
These drawings are generic standards – for details specific to your order, please refer to your custom verification drawings

YOUR OPENING HEIGHT = PANEL + 3"
YOUR OPENING WIDTH = (PANEL x 4) – 1/4"

PLAN: closed



ELEVATION: closed



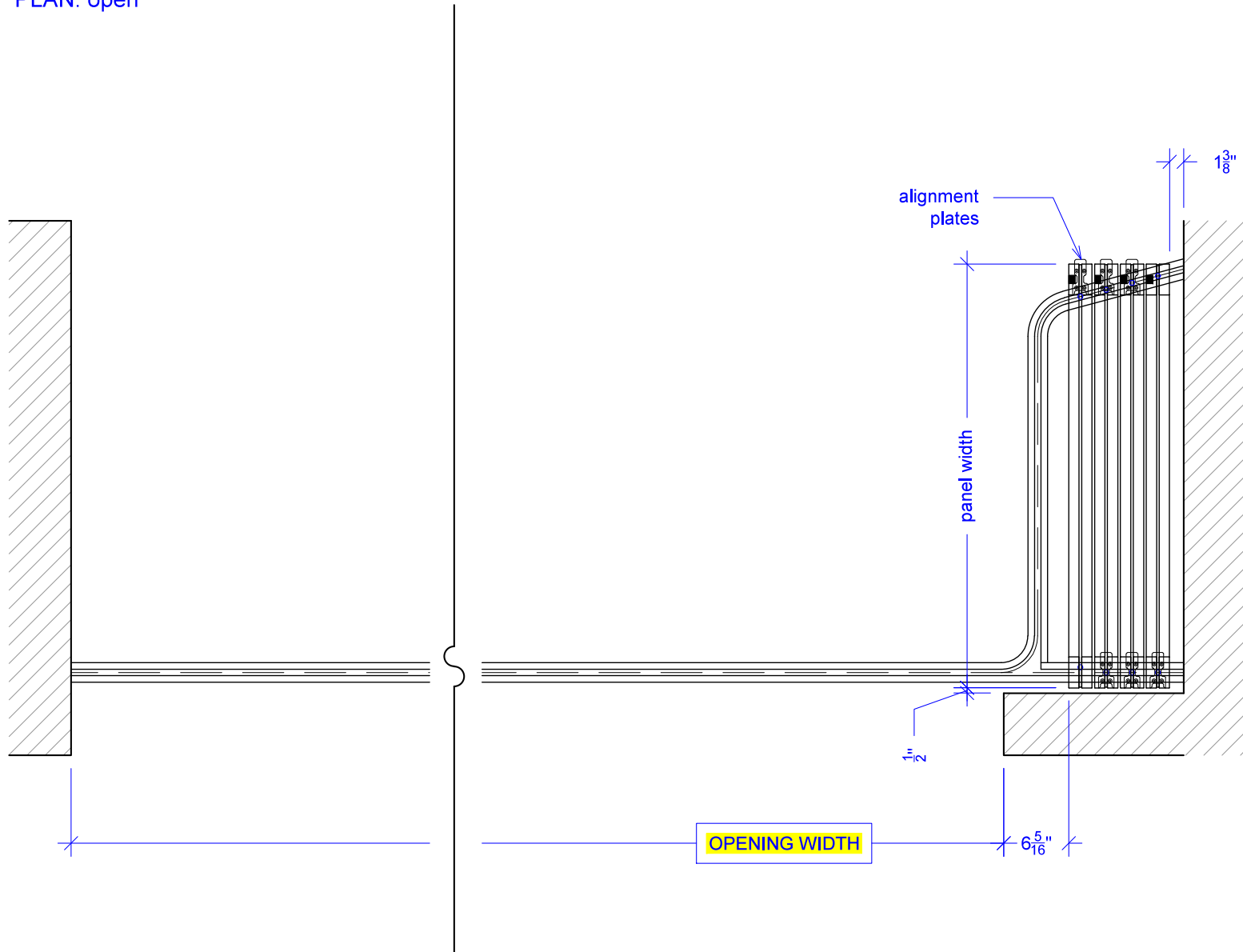
SSPE4 sliding stacking perpendicular - 4 panel

RAYDOOR STANDARD
SYSTEM DRAWINGS
©2016



These drawings are generic standards - for details specific to your order, please refer to your custom verification drawings

PLAN: open



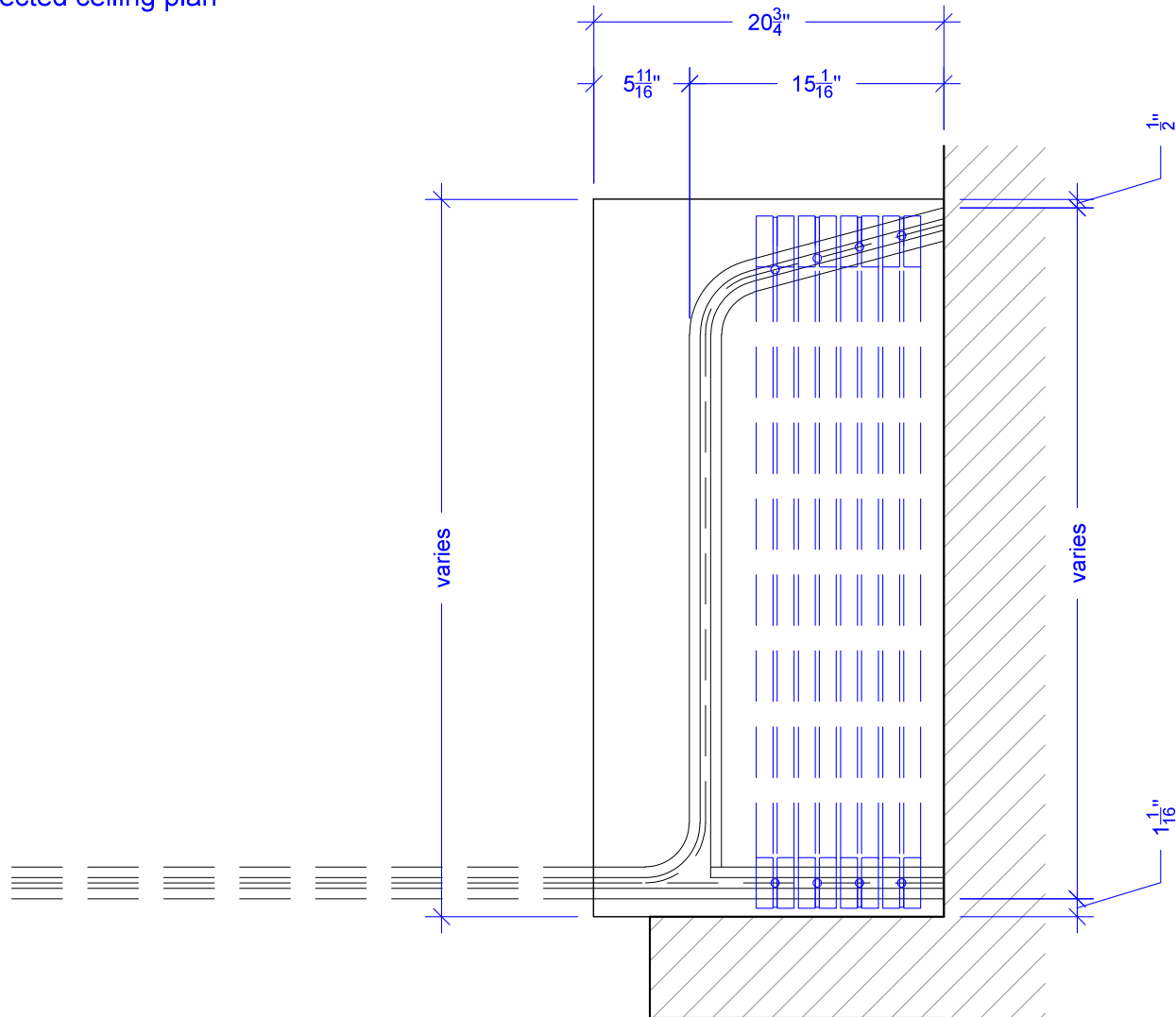
SSPE4 sliding stacking perpendicular - 4 panel

RAYDOOR STANDARD
SYSTEM DRAWINGS
©2016



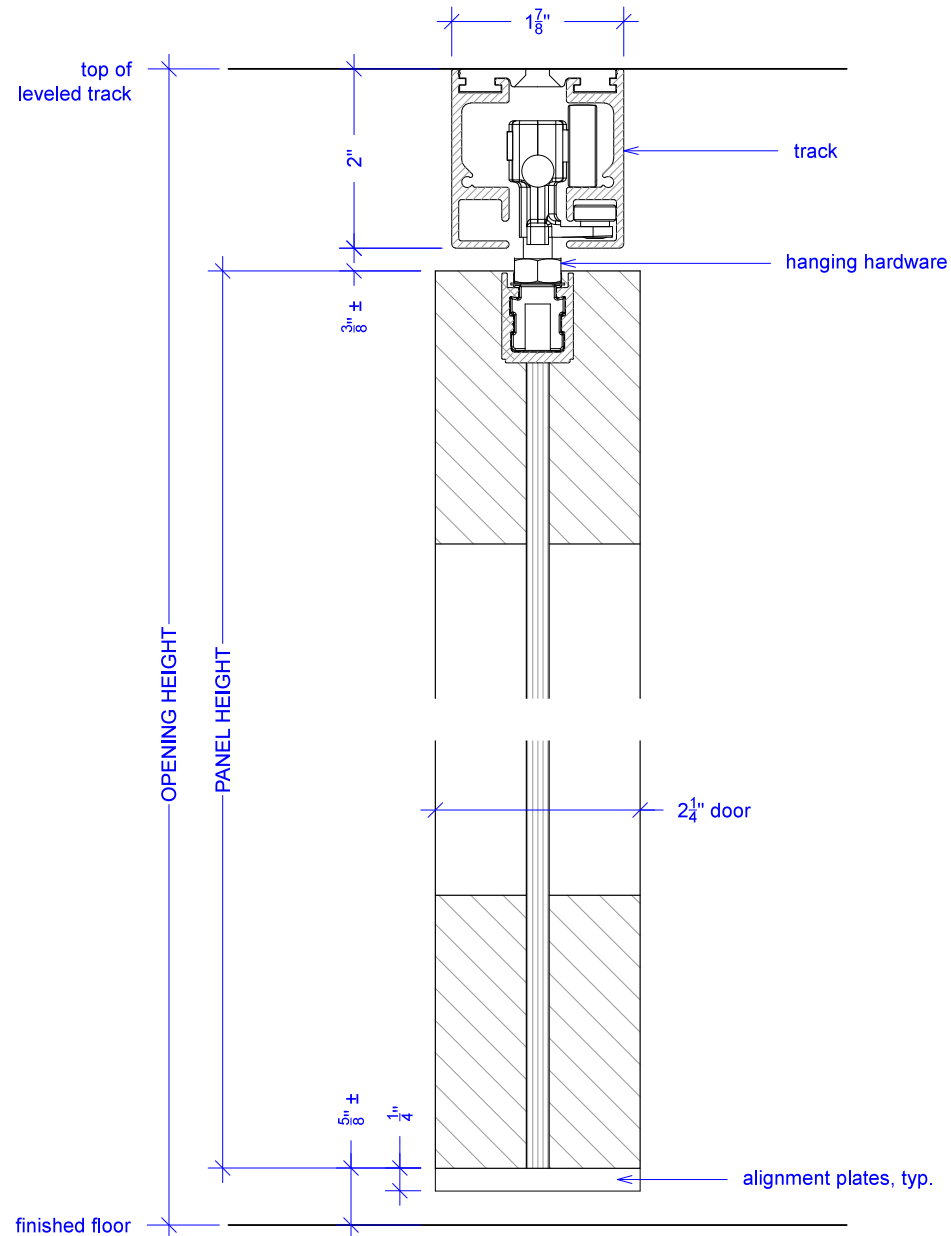
These drawings are generic standards – for details specific to your order, please refer to your custom verification drawings

Stacking Area:
reflected ceiling plan





Important Notes:
Each panel weighs approximately 85-110 lbs. Secure tracks accordingly.
This page represents GENERIC system detail. Please refer to Elevation page for your custom configuration.

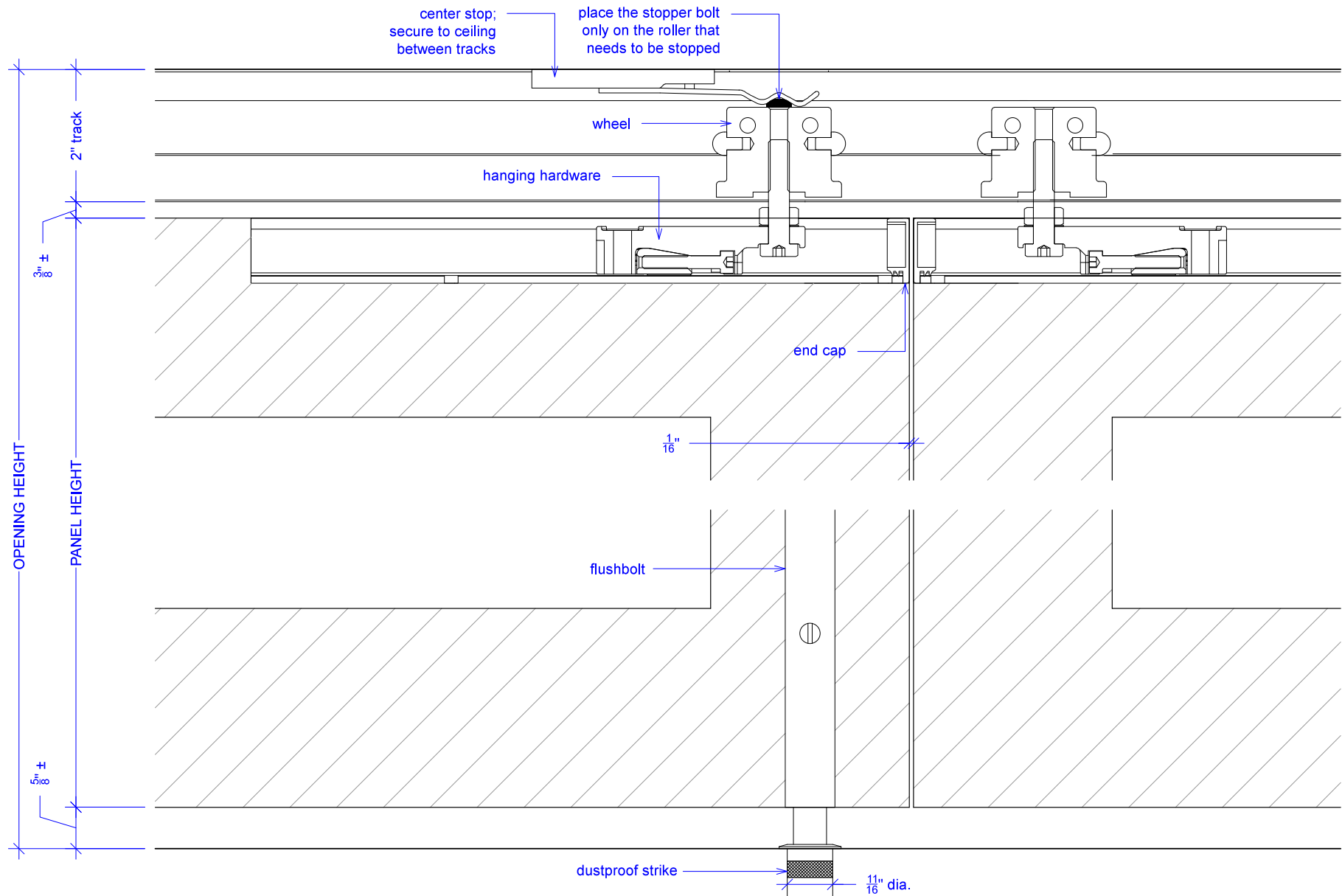


SSPE sliding stacking perpendicular

RAYDOOR STANDARD
SYSTEM DRAWINGS
©2016



Important Notes:
Each panel weighs approximately 85-110 lbs. Secure tracks accordingly.
This page represents GENERIC system detail. Please refer to Elevation page
for your custom configuration.





Important Notes:

Each panel weighs approximately 85-110 lbs. Secure tracks accordingly.
This page represents GENERIC system detail. Please refer to Elevation page for your custom configuration.

