

SSPA4PV1 sliding stacking parallel with pivot – 5 panel

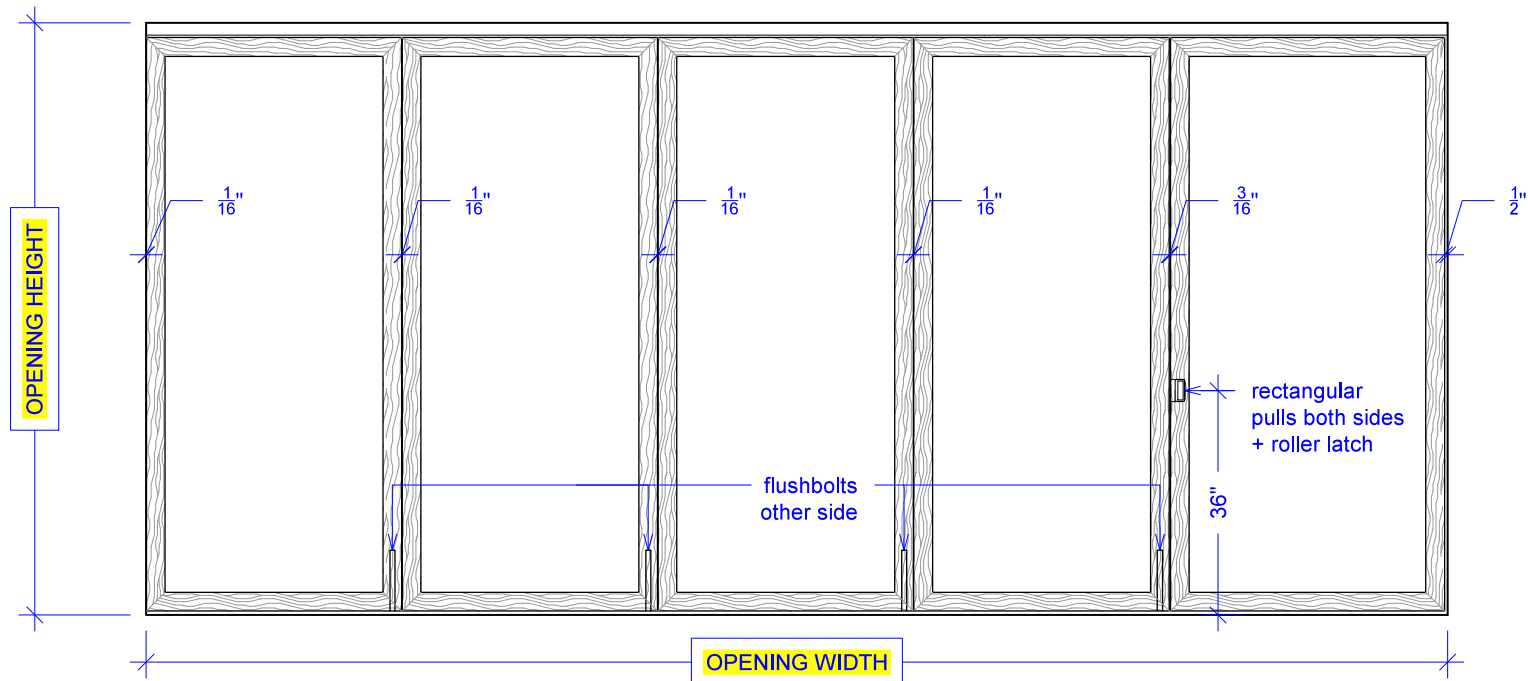
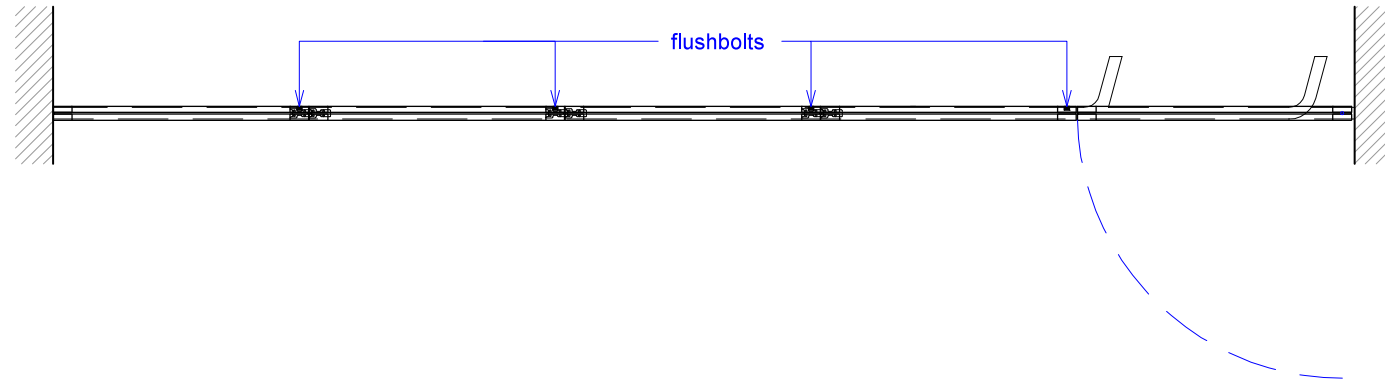
RAYDOOR STANDARD
SYSTEM DRAWINGS
©2016



YOUR OPENING HEIGHT = PANEL + 3"
YOUR OPENING WIDTH = (PANEL x 5) + 3 ¹⁵/₁₆"
(pivot panel is 3" wider than sliders)

These drawings are generic standards – for details specific to your order, please refer to your custom verification drawings

PLAN: closed



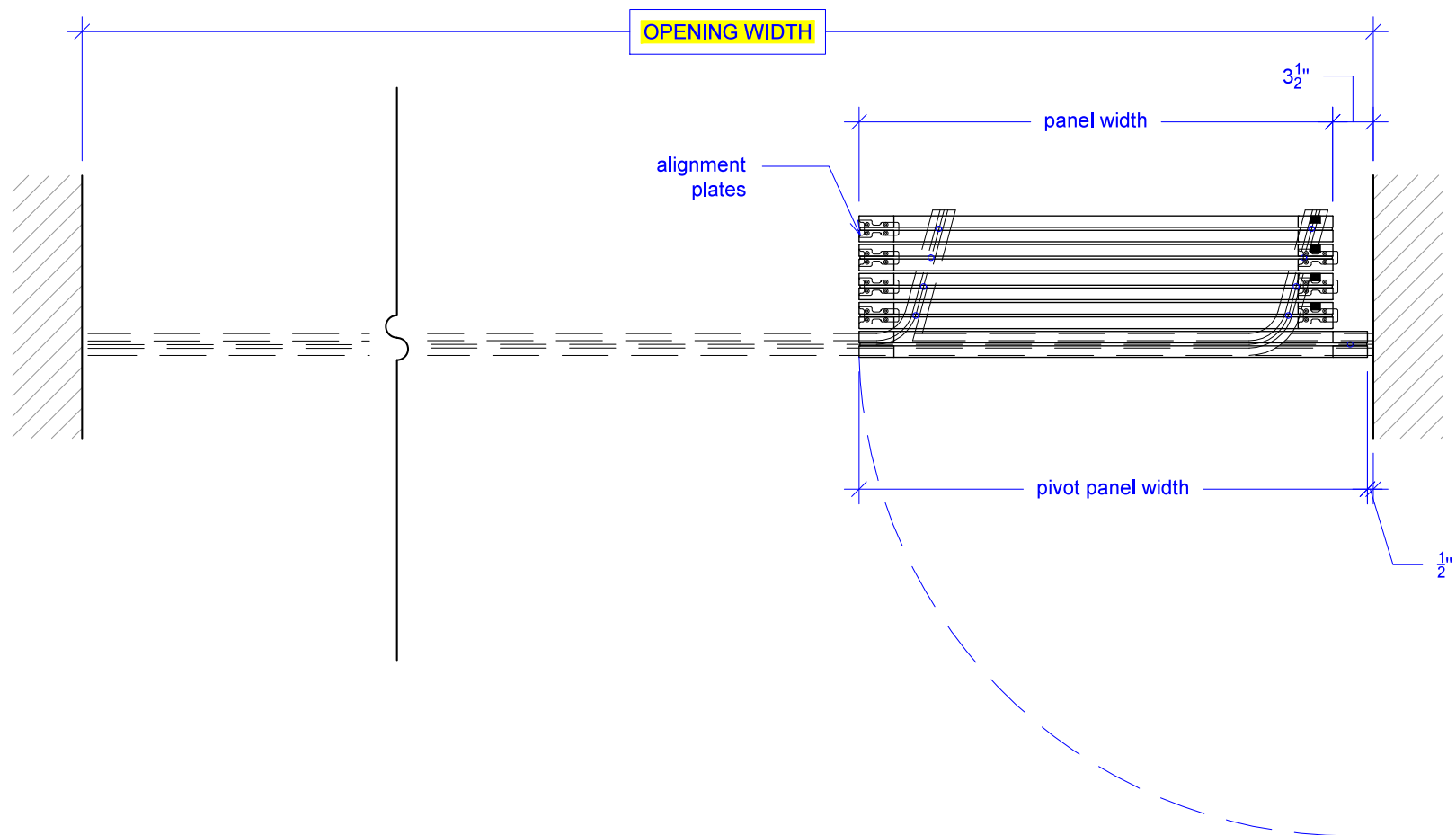
SSPA4PV1 sliding stacking parallel with pivot – 5 panel

RAYDOOR STANDARD
SYSTEM DRAWINGS
©2016



These drawings are generic standards – for details specific to your order, please refer to your custom verification drawings

PLAN: open



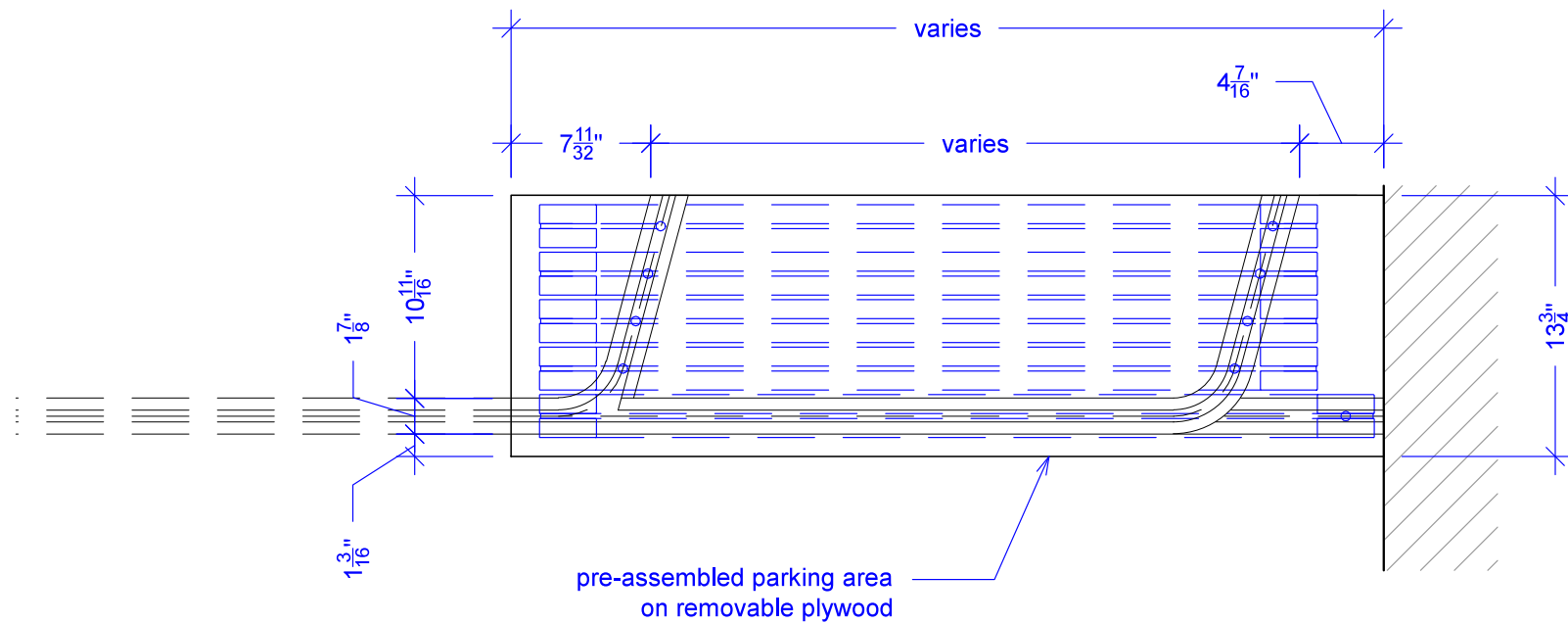
SSPA4PV1 sliding stacking parallel with pivot – 5 panel

RAYDOOR STANDARD
SYSTEM DRAWINGS
©2016



These drawings are generic standards – for details specific to your order, please refer to your custom verification drawings

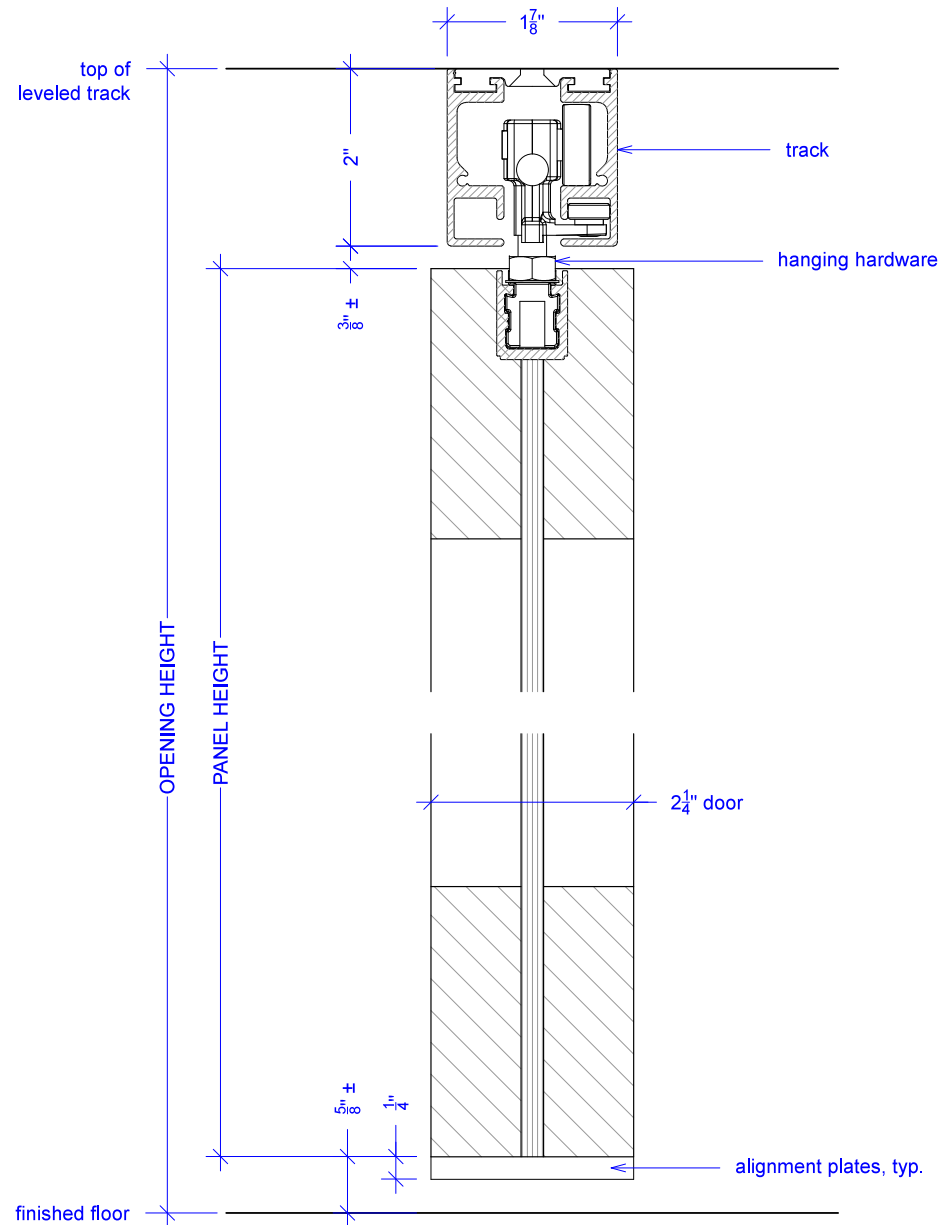
Stacking Area:
reflected ceiling plan



SSPAPV sliding stacking parallel with pivot



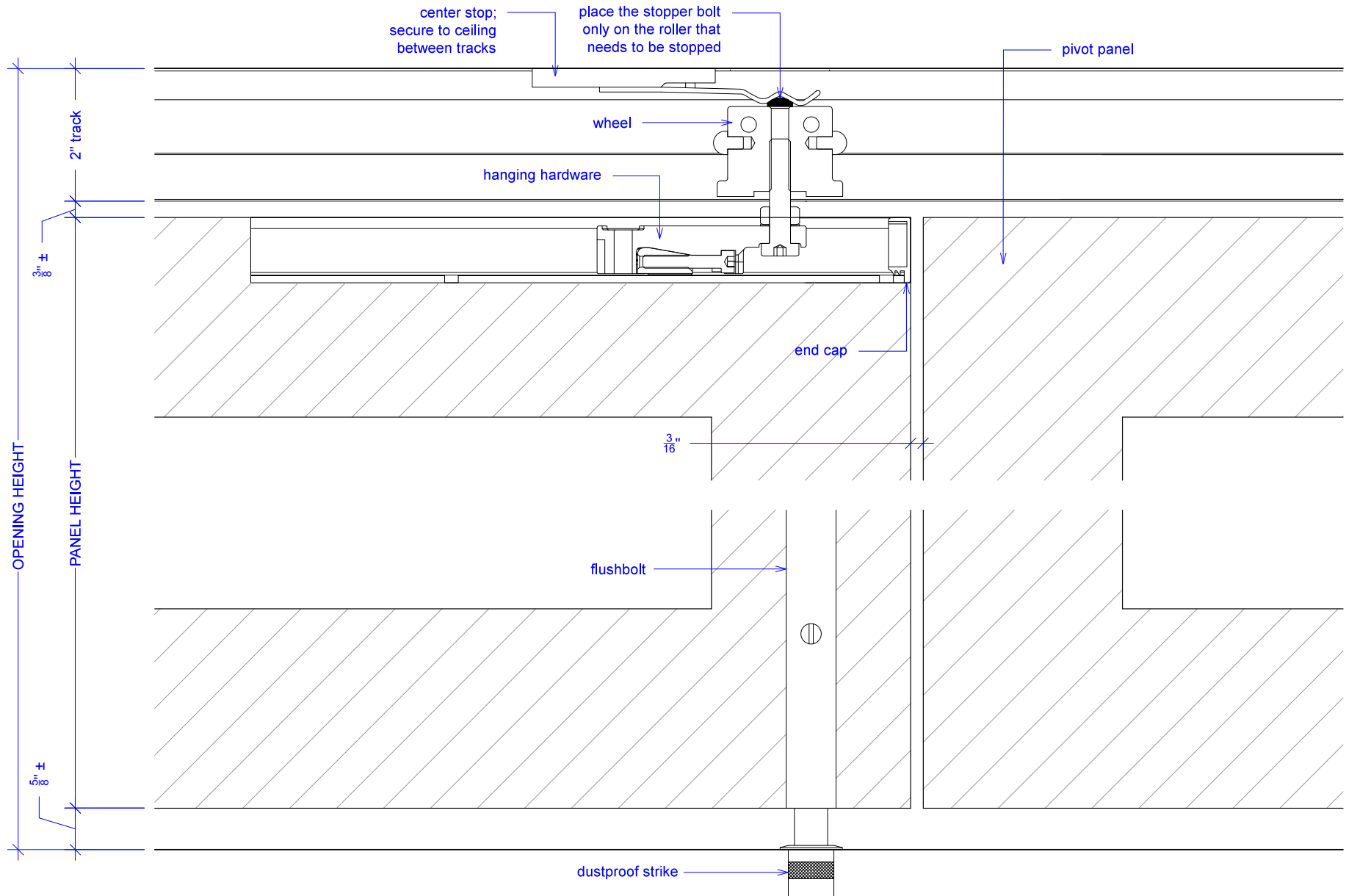
Important Notes:
Each panel weighs approximately 85-110lbs. Secure tracks accordingly.
This page represents GENERIC system detail. Please refer to Elevation page for your custom configuration.



SSPAPV sliding stacking parallel with pivot



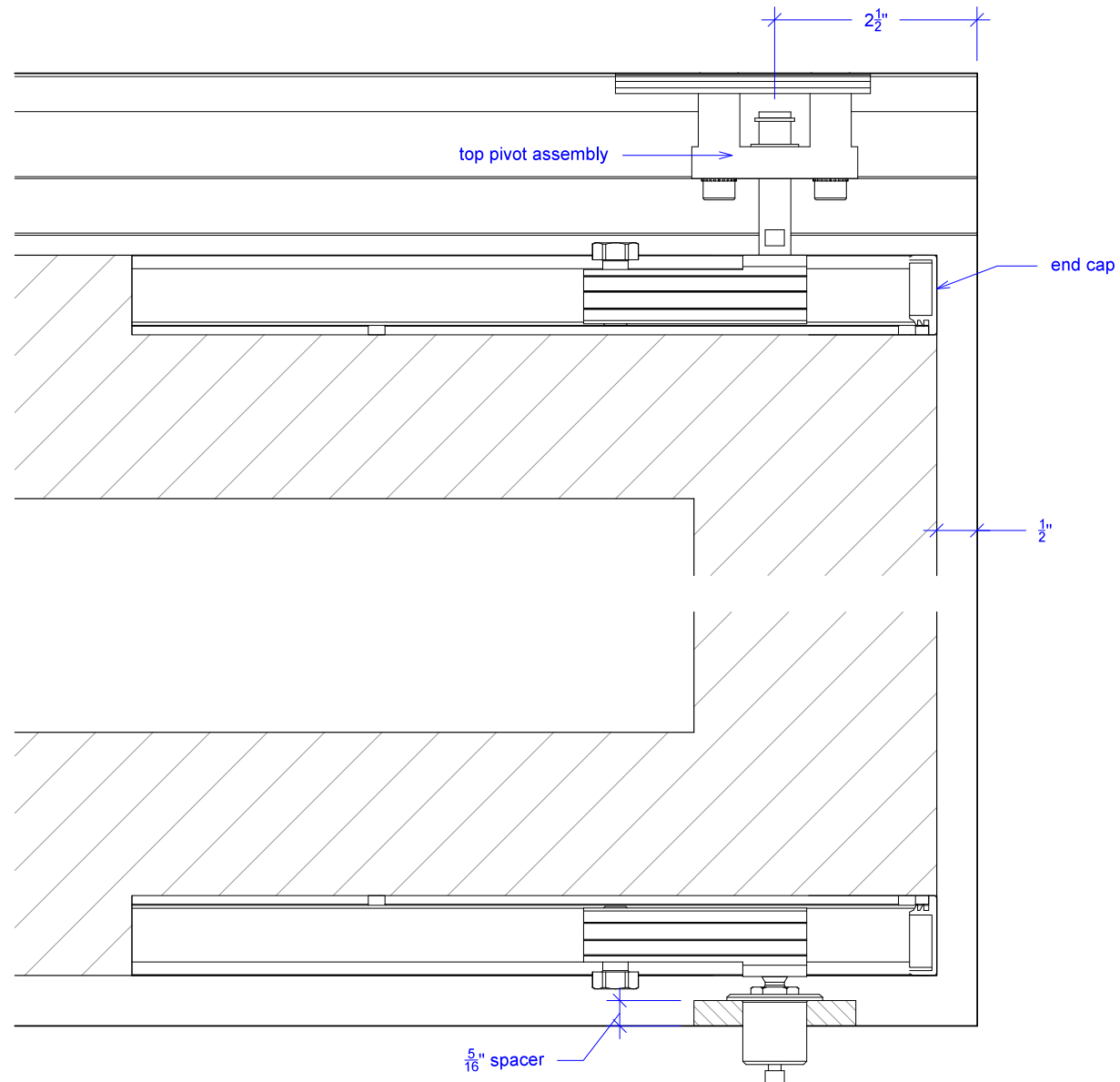
Important Notes:
Each panel weighs approximately 85-110lbs. Secure tracks accordingly.
This page represents GENERIC system detail. Please refer to Elevation page
for your custom configuration.



SSPAPV sliding stacking parallel with pivot



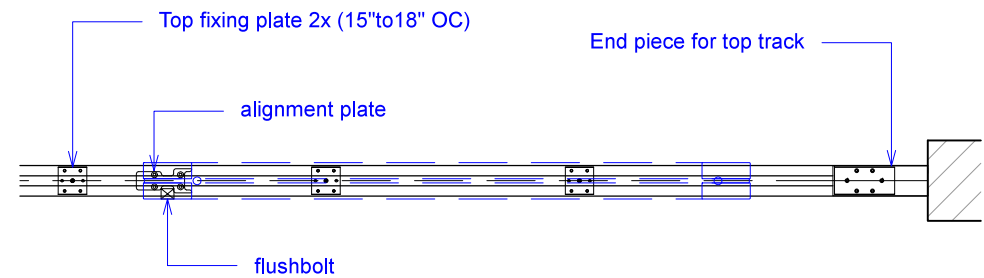
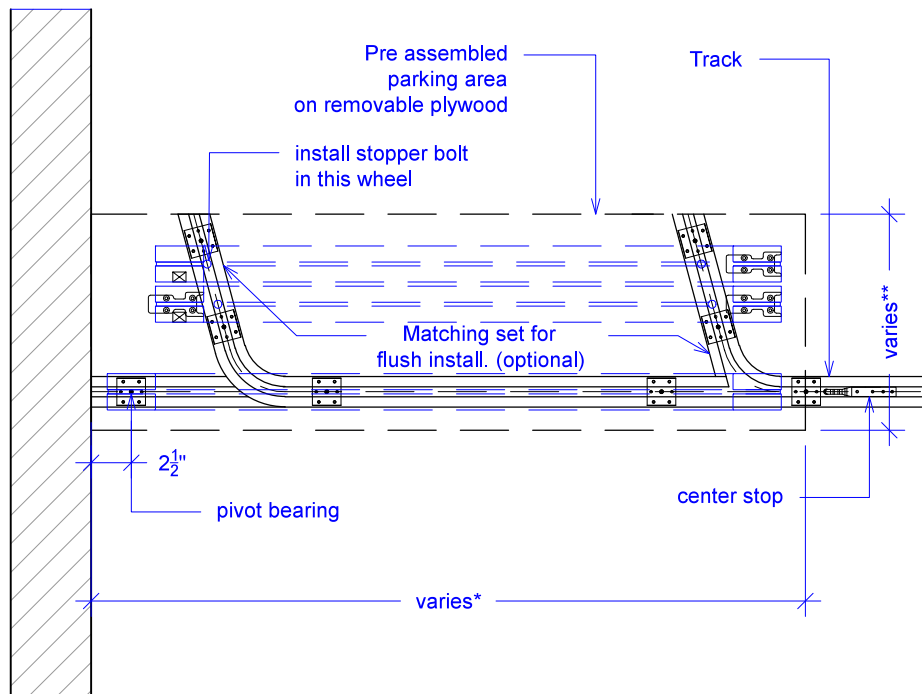
Important Notes:
Each panel weighs approximately 85-110lbs. Secure tracks accordingly.
This page represents GENERIC system detail. Please refer to Elevation page
for your custom configuration.





Important Notes:

Each panel weighs approximately 85-110lbs. Secure tracks accordingly.
This page represents GENERIC system detail. Please refer to Elevation page for your custom configuration.



*depending on panel width, please refer to your custom Build Order, approximately (PV-panel width) + 2"

**depending on number of panels, please refer to your custom Build Order, approximately (N x 2.5") + 1 1/4"