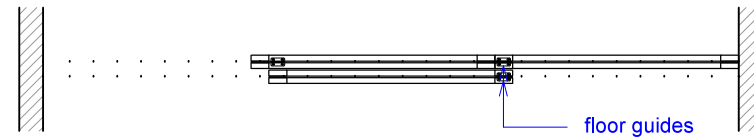


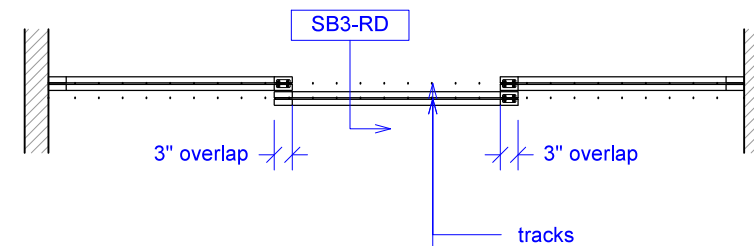


PLAN: open

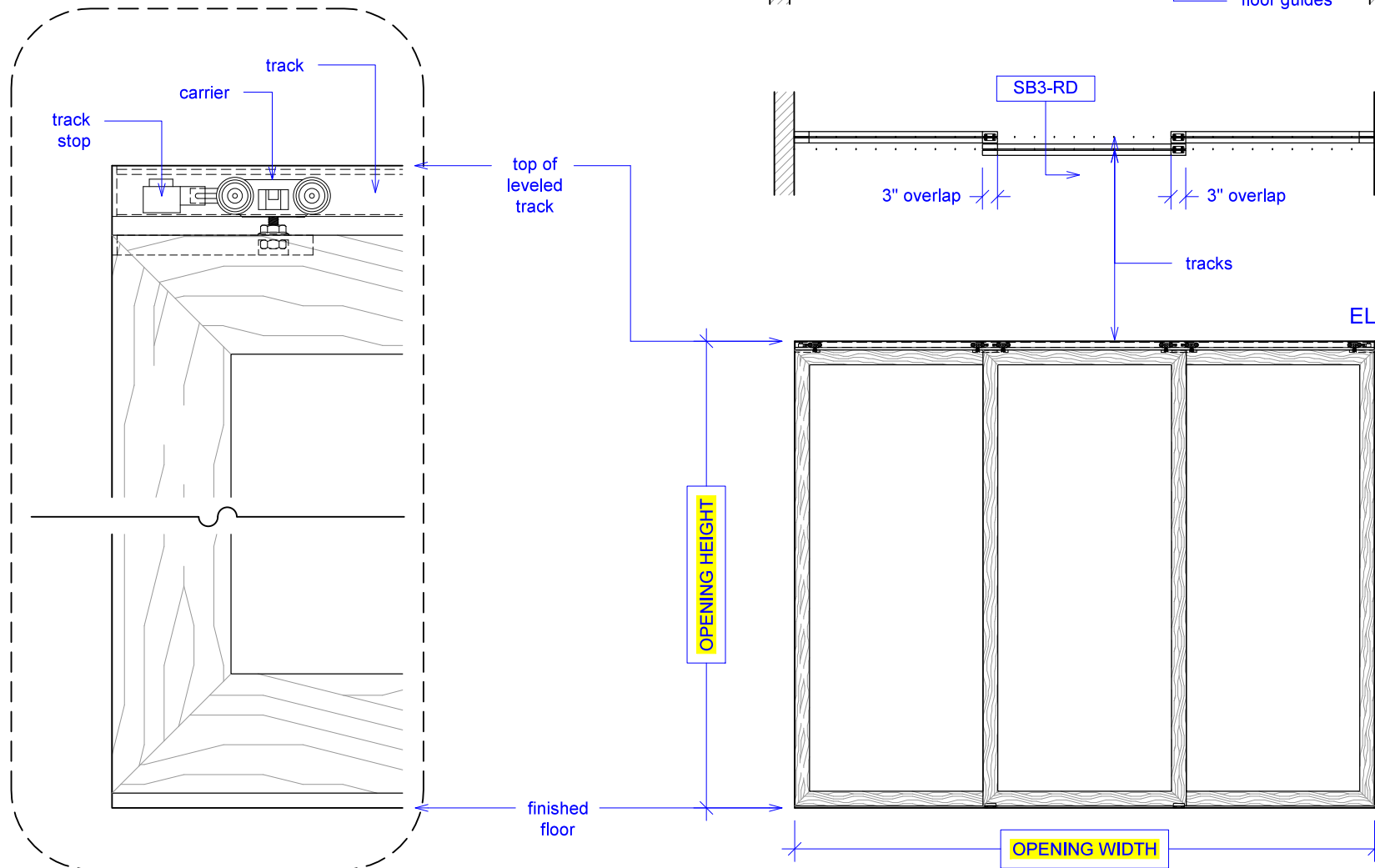
YOUR OPENING HEIGHT = PANEL + 2-1/8"
YOUR OPENING WIDTH = (PANEL x 3) - 6"



PLAN: closed



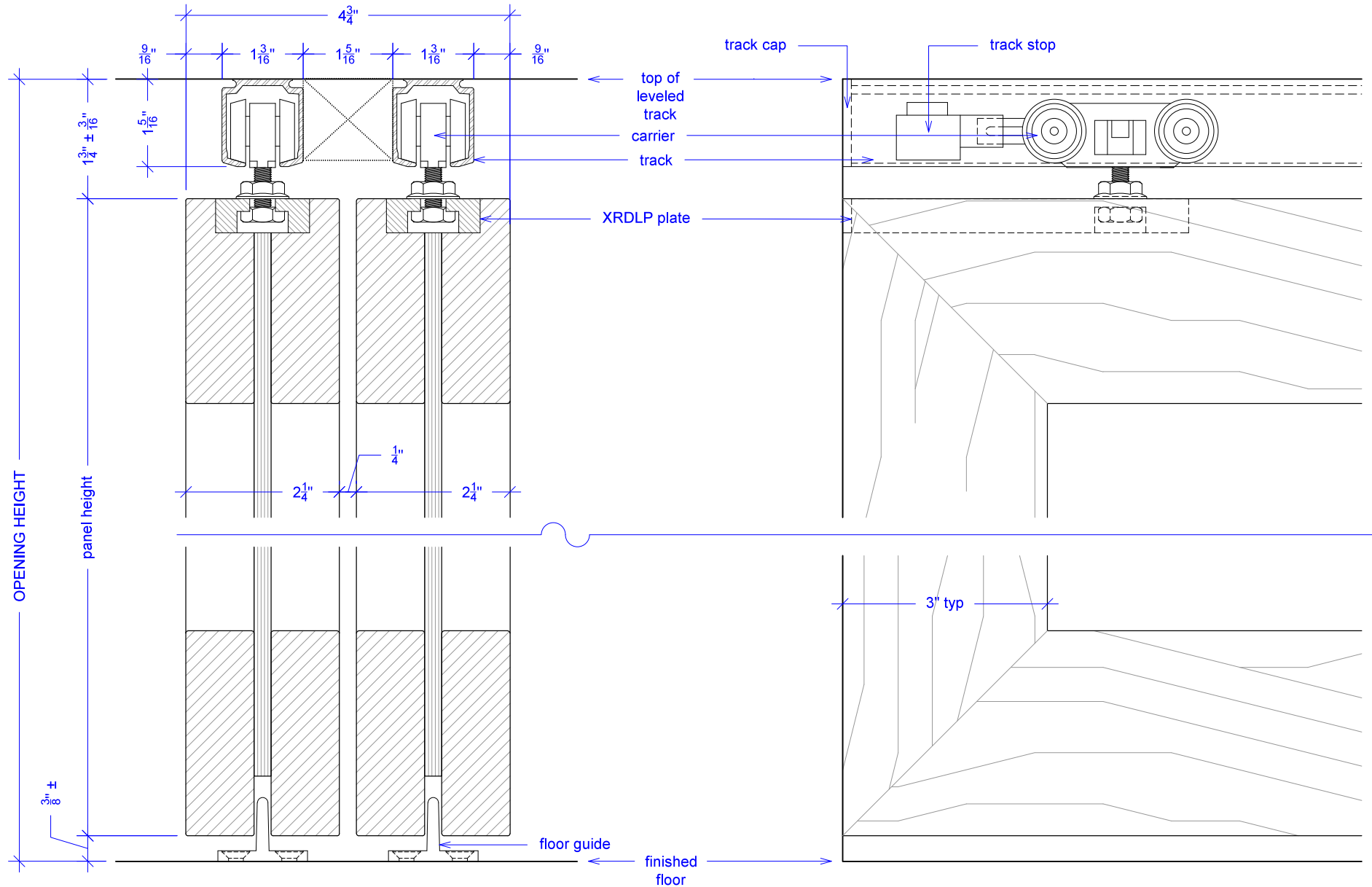
ELEVATION: closed



SB3 - 225



NOTE: each panel weights approximately 75-110 lbs.
Secure tracks accordingly.





NOTE: each panel weights approximately 75-110 lbs.
Secure tracks accordingly.

