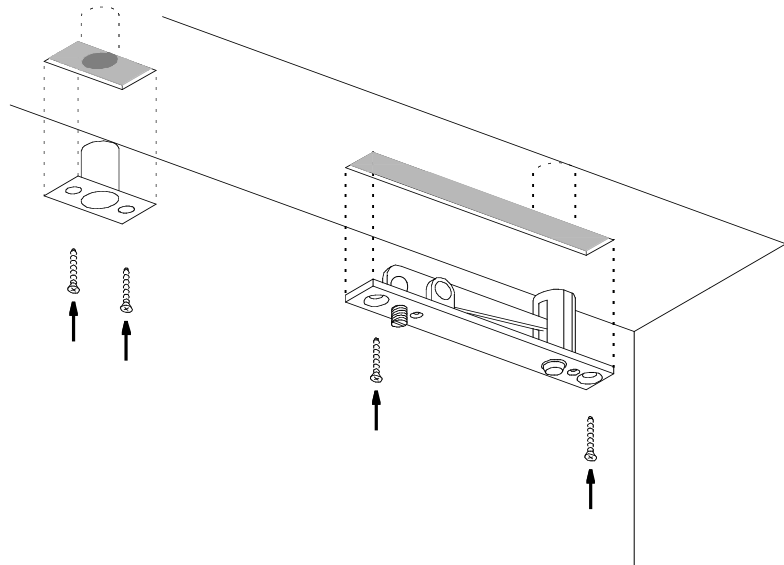


PIVOT w/ Ball Catch

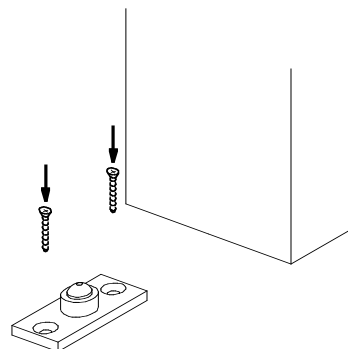
RAYDOOR®
The Art of Division™
INSTALLATION MANUAL ©2013



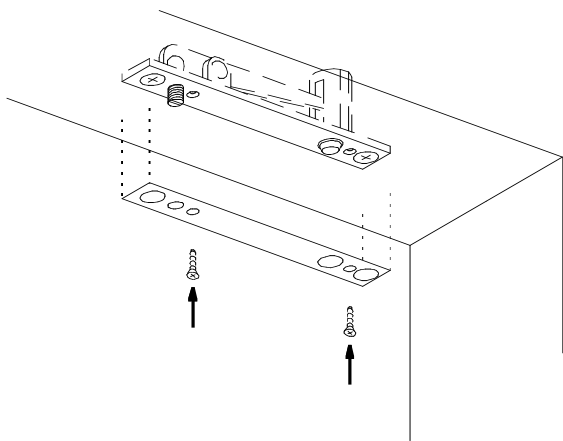
① Mortise and insert top pivot and ball catch into header



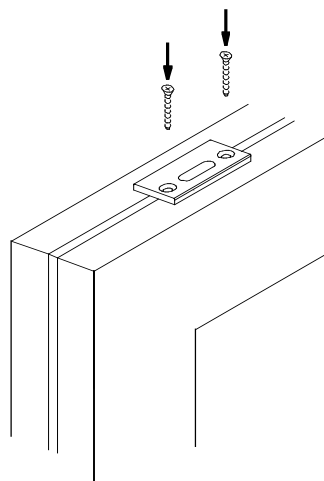
② Secure bottom pivot to floor



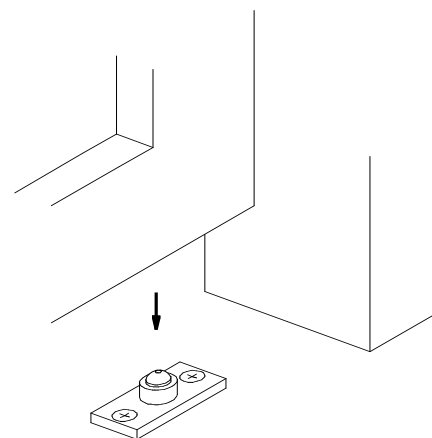
③ Attach trim plate to top pivot



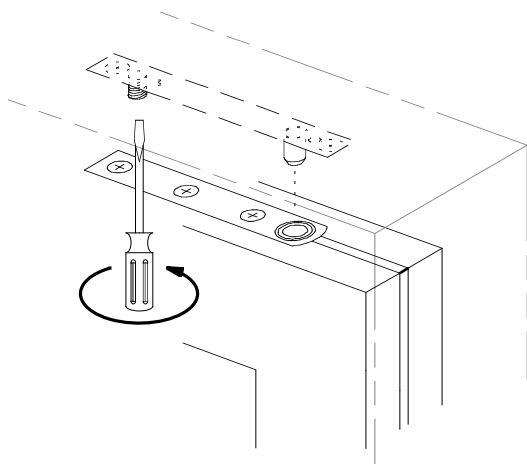
④ Attach ball catch receiving plate to top of door



⑤ Lower door onto bottom pivot



⑥ Lower top pivot into receiver in door



⑦ Adjust ball catch as needed

