



1. SPECIFY OPENING

room _____

FOR INTERNAL USE

Job Number _____

Job Name _____

2. ADDITIONAL HARDWARE

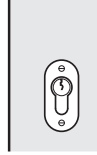
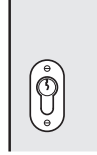
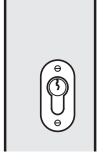
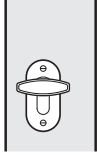
any upgrades chosen that are not on your estimate will be an additional cost

PRIVACY LOCK *choose one*

none

style AGB
thumb turn/key

style AGB
key/key

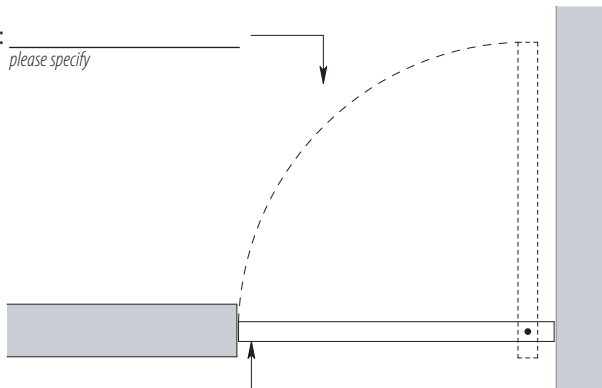


3. ORIENTATION & PLACEMENT

choose either RIGHT or LEFT swing

RIGHT SWING

ROOM: _____
please specify



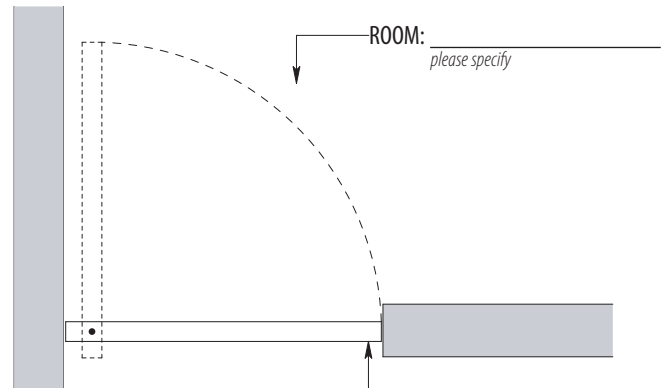
PRIVACY LOCK
thumb turn
or
coin release or key

ROOM: _____
please specify

CORE FINISH, *choose one*
 frosted
or
 glossy

LEFT SWING

ROOM: _____
please specify



PRIVACY LOCK
thumb turn
or
coin release or key

choose one, CORE FINISH
frosted
or
glossy

ROOM: _____
please specify

4. SIGNATURE

sign _____

date _____