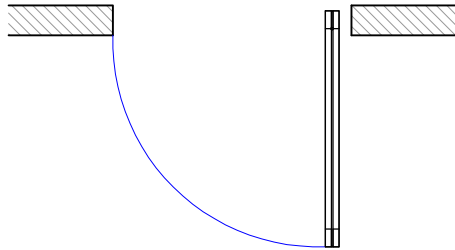


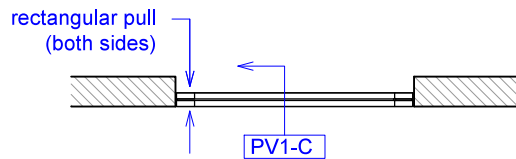
PV1 -Center Pivot w/ ball catch



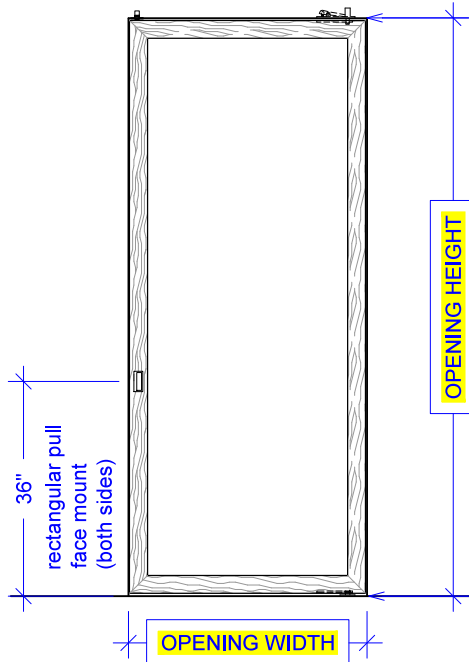
PLAN: open



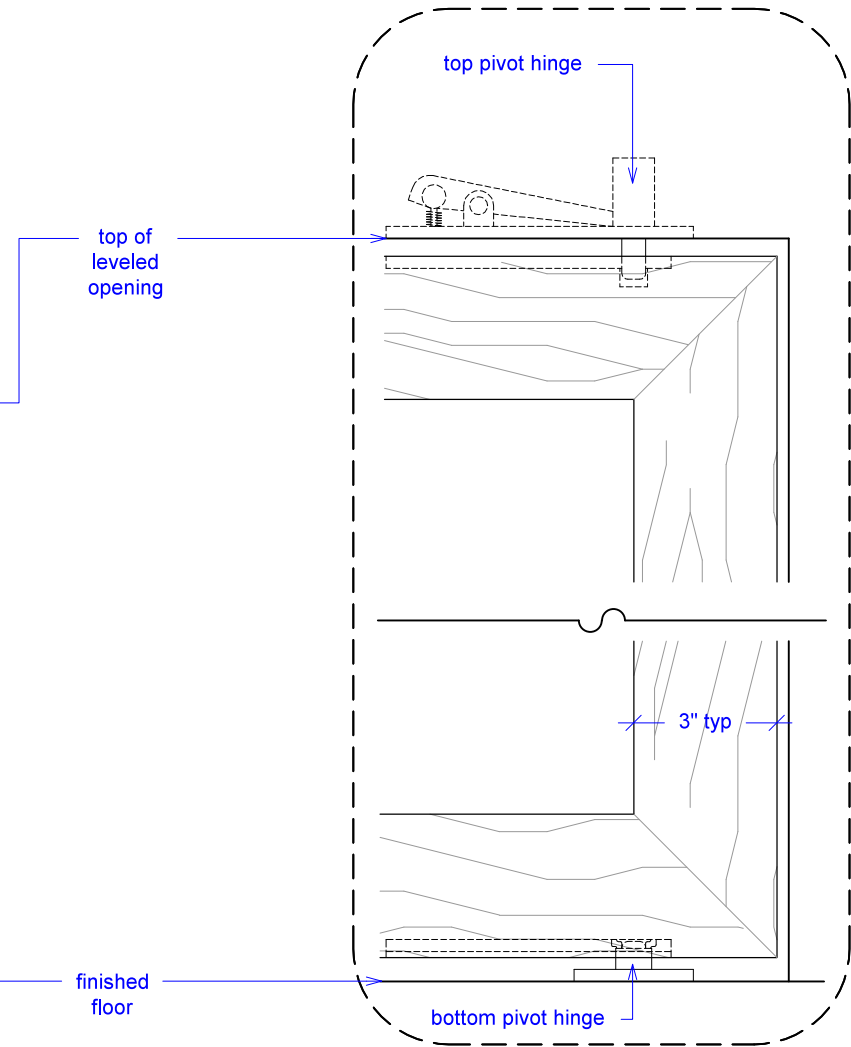
PLAN: closed



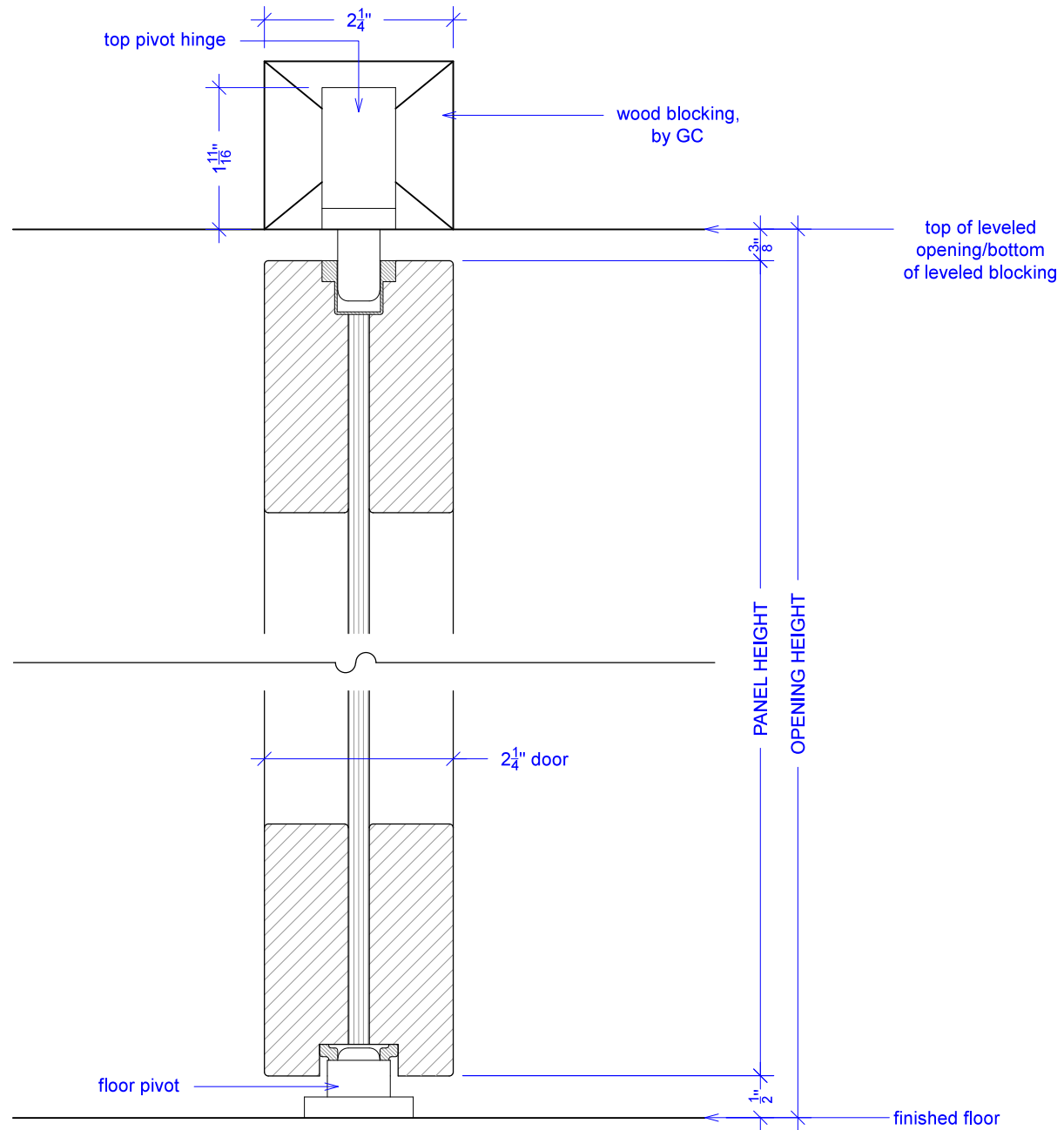
ELEVATION: closed



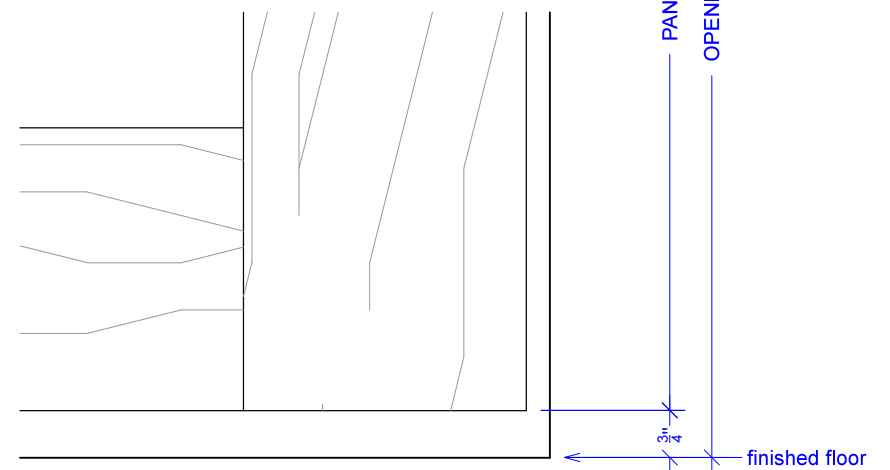
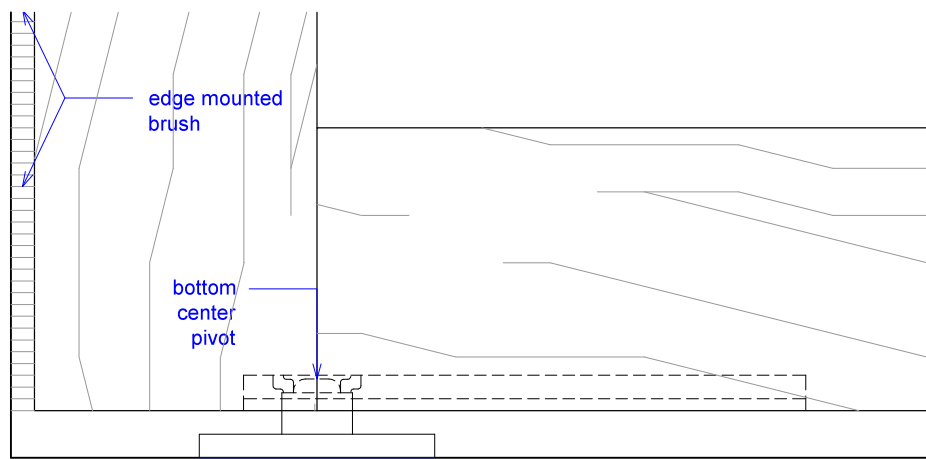
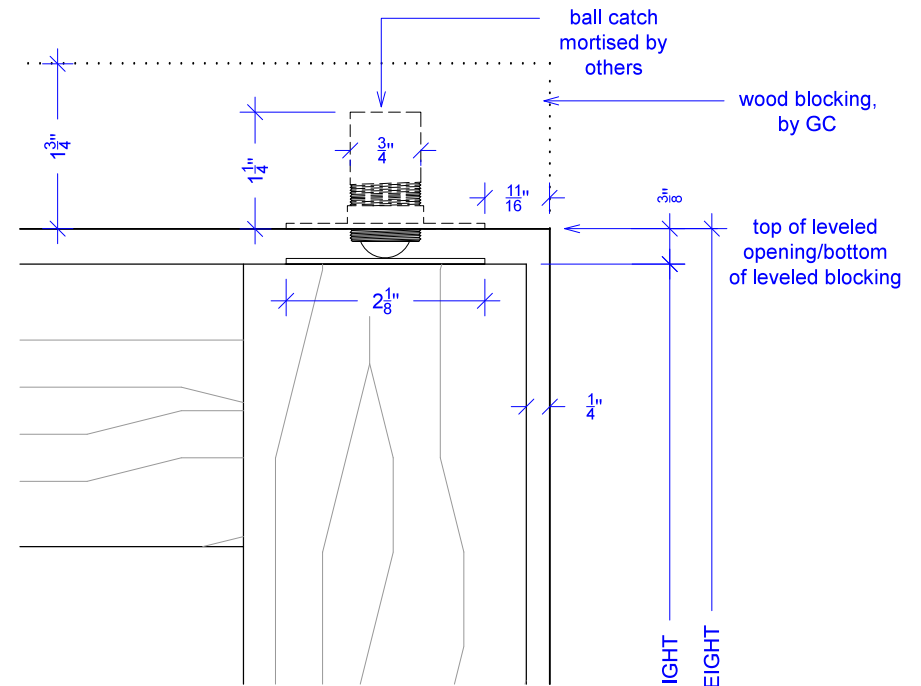
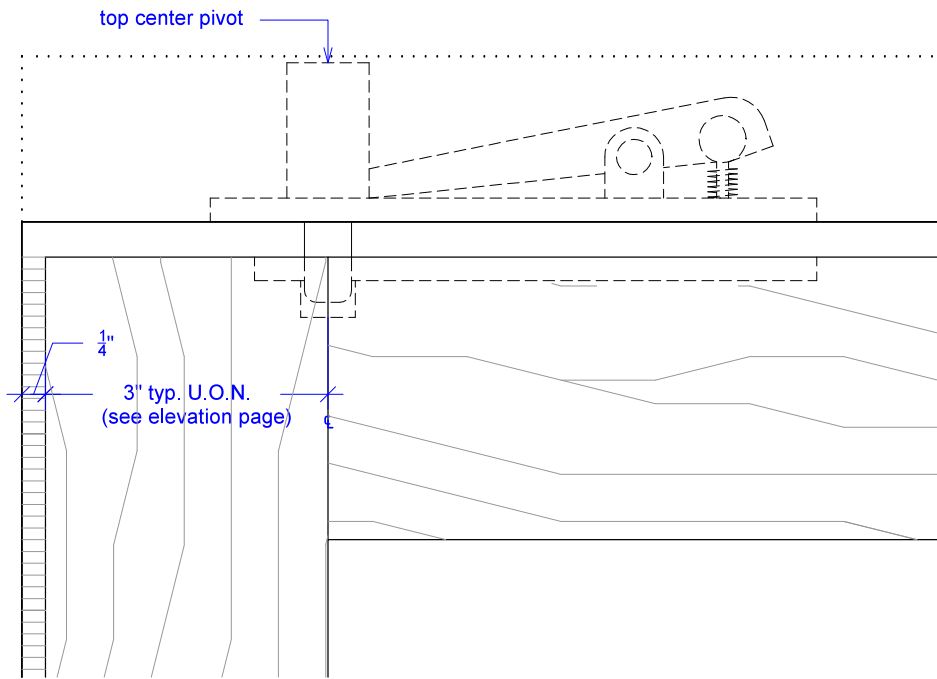
YOUR OPENING HEIGHT = PANEL + 7/8"
YOUR OPENING WIDTH = PANEL + 1/2"



PV1 – Center Pivot



PV1 – Center Pivot w/ ball catch



PV1 w/ ball catch

Operation Overview

