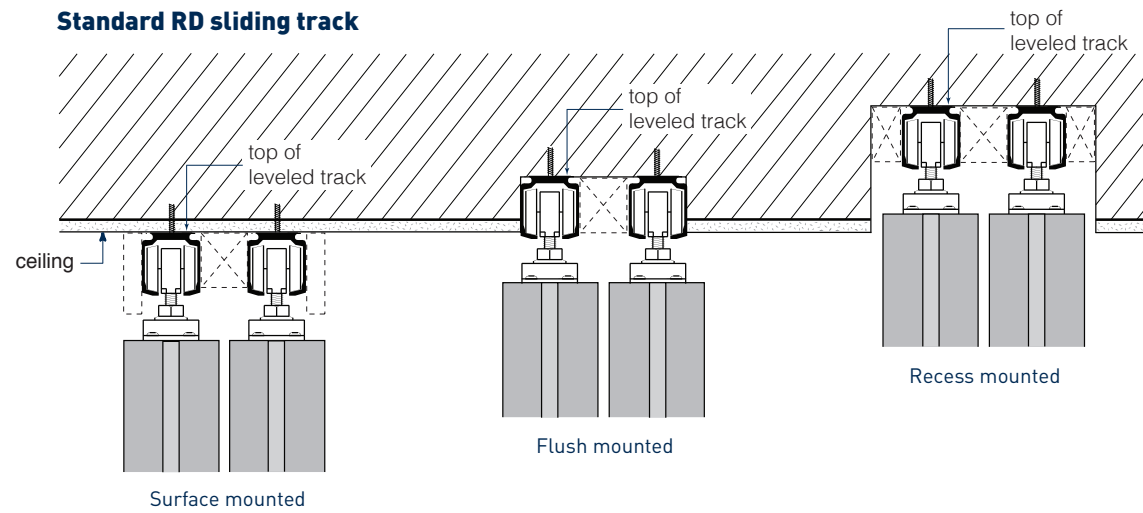


# MOUNTING OPTIONS

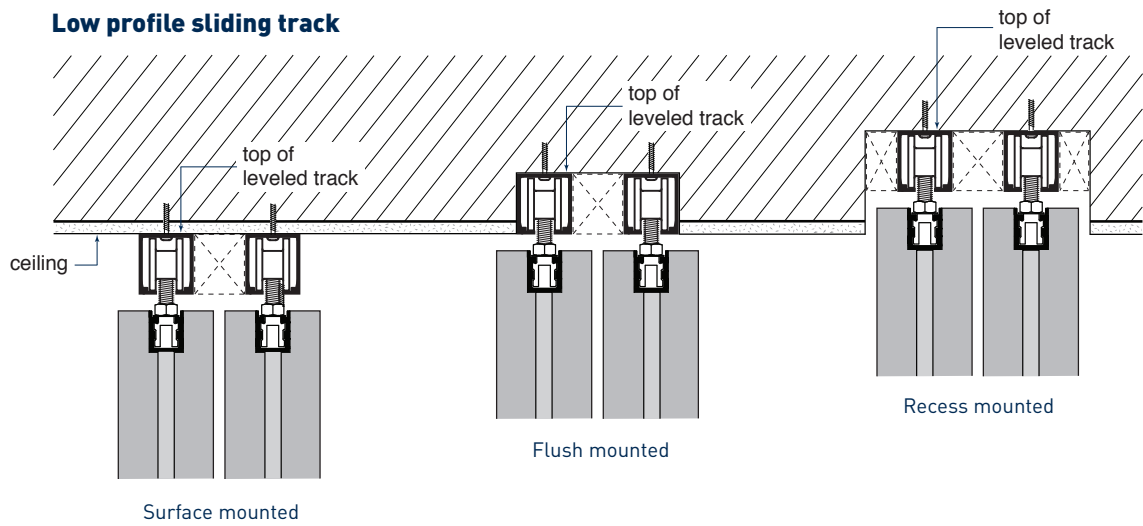
## Surface, Flush, Recess and Wall Mounting Options

Mounting options depend on the desired install aesthetic or structural limitations (as with post tension concrete ceilings, etc.) Regardless of installation type, system height measurements are always from top of leveled track (may or may not coincide with ceiling height). (Installers can place blocking in spaces between tracks and install fascia to minimize track visibility.)

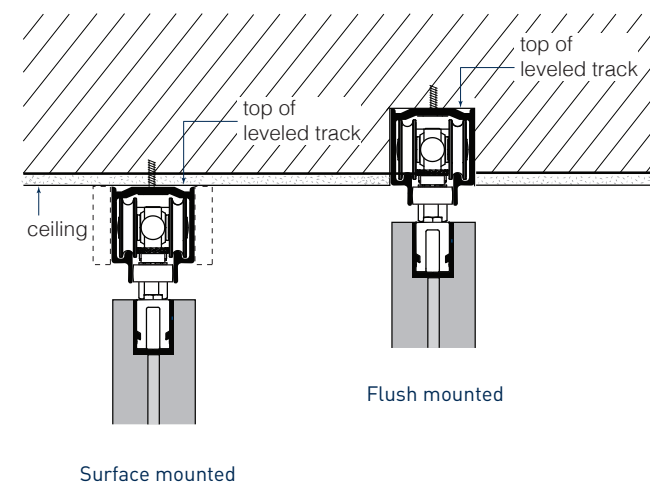
### Standard RD sliding track



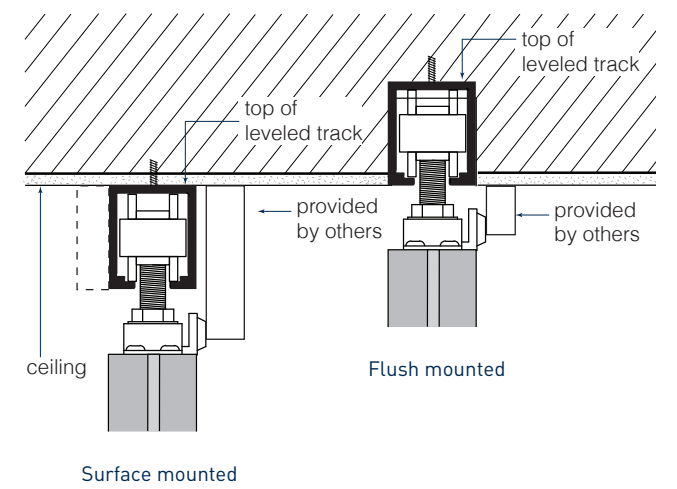
### Low profile sliding track



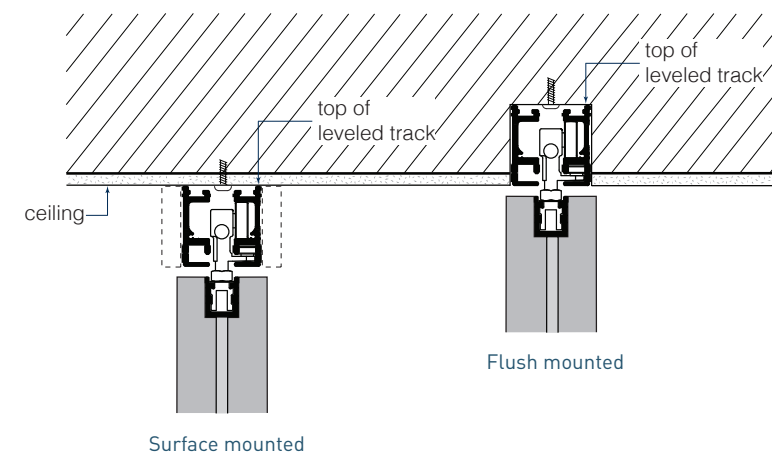
### Folding track 225



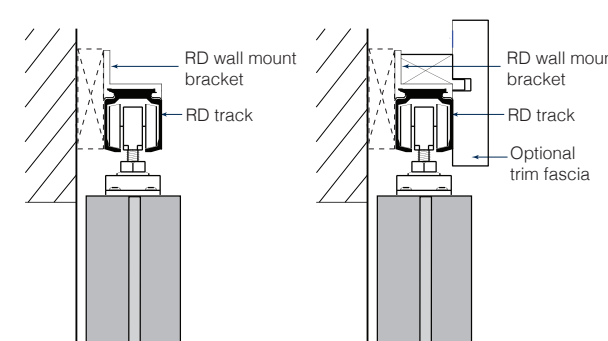
### Folding track 175



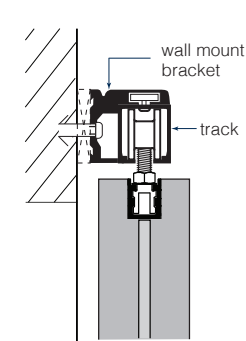
### Sliding stacking track



### Standard RD sliding track



### Low profile sliding track



### Wall mounting

Our standard RD sliding track and our low profile track can be wall mounted using brackets. Only available for S1 and S2S systems.