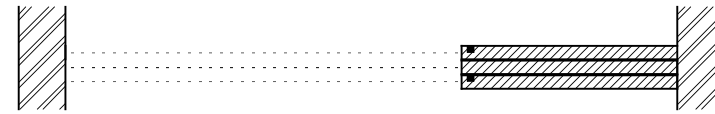


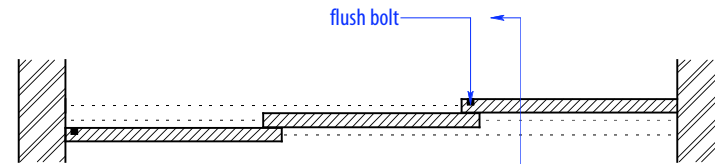


HEIGHTS		
Door	Standard Track Height	Low Profile Track Height
80"	83"	82 1/4"
92"	95"	94 1/4"
104"	107"	106 1/4"
116"	119"	118 1/4"

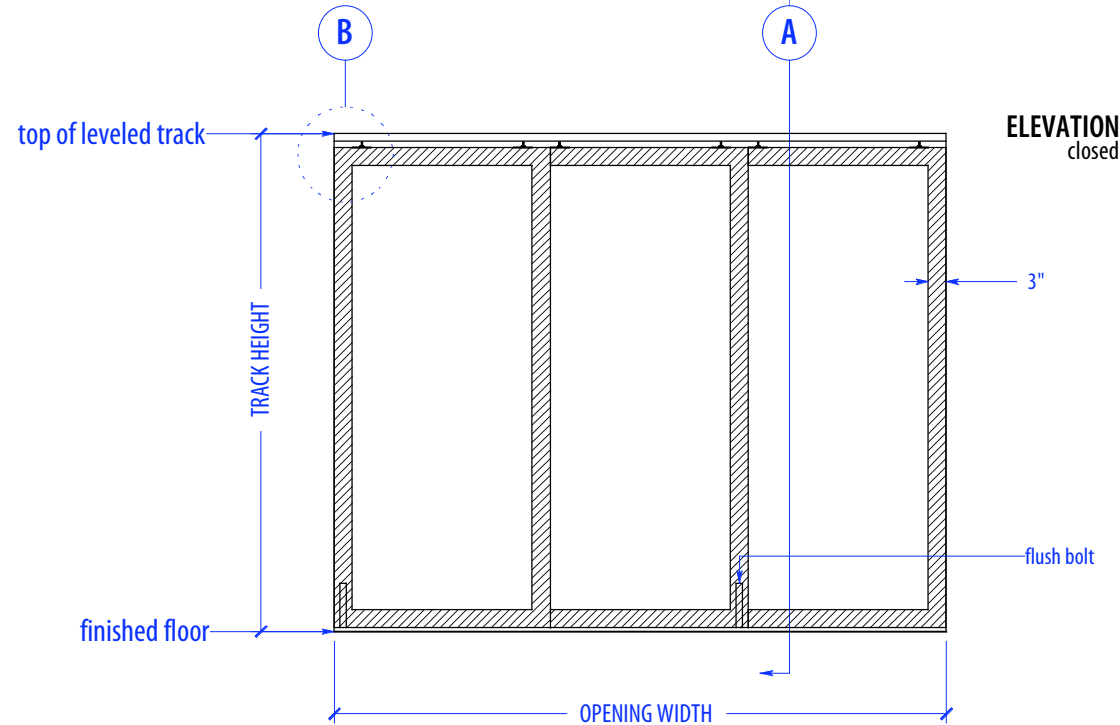
WIDTHS	
Door	Finished Opening
36"	102"
41"	117"
46"	132"



PLAN  
open



PLAN  
closed

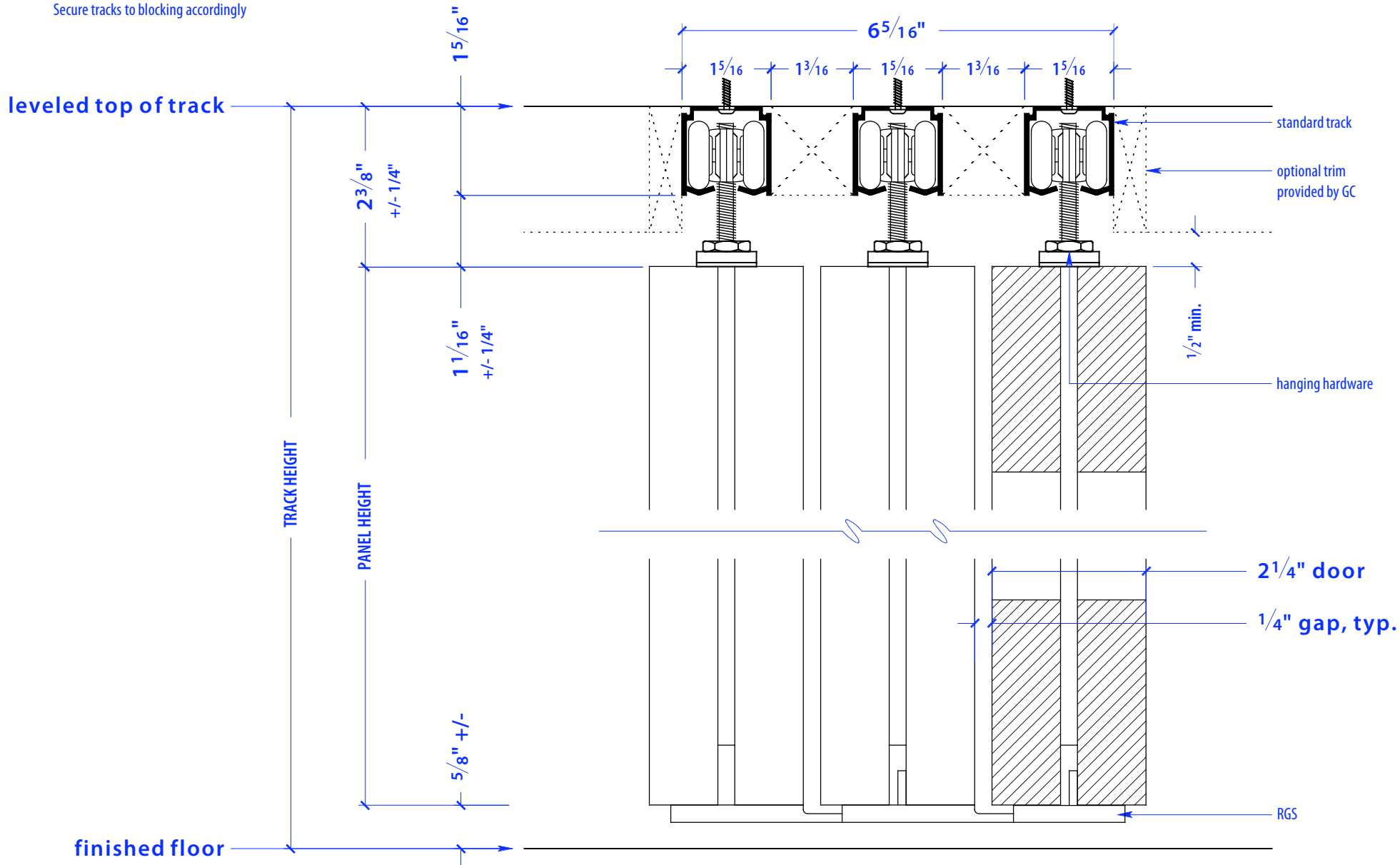


ELEVATION  
closed



## SECTION A

NOTE: each panel weighs approx. 75-110 lbs.  
Secure tracks to blocking accordingly





NOTE: each panel weighs approx. 75-110 lbs.  
Secure tracks to blocking accordingly

## SECTION B

