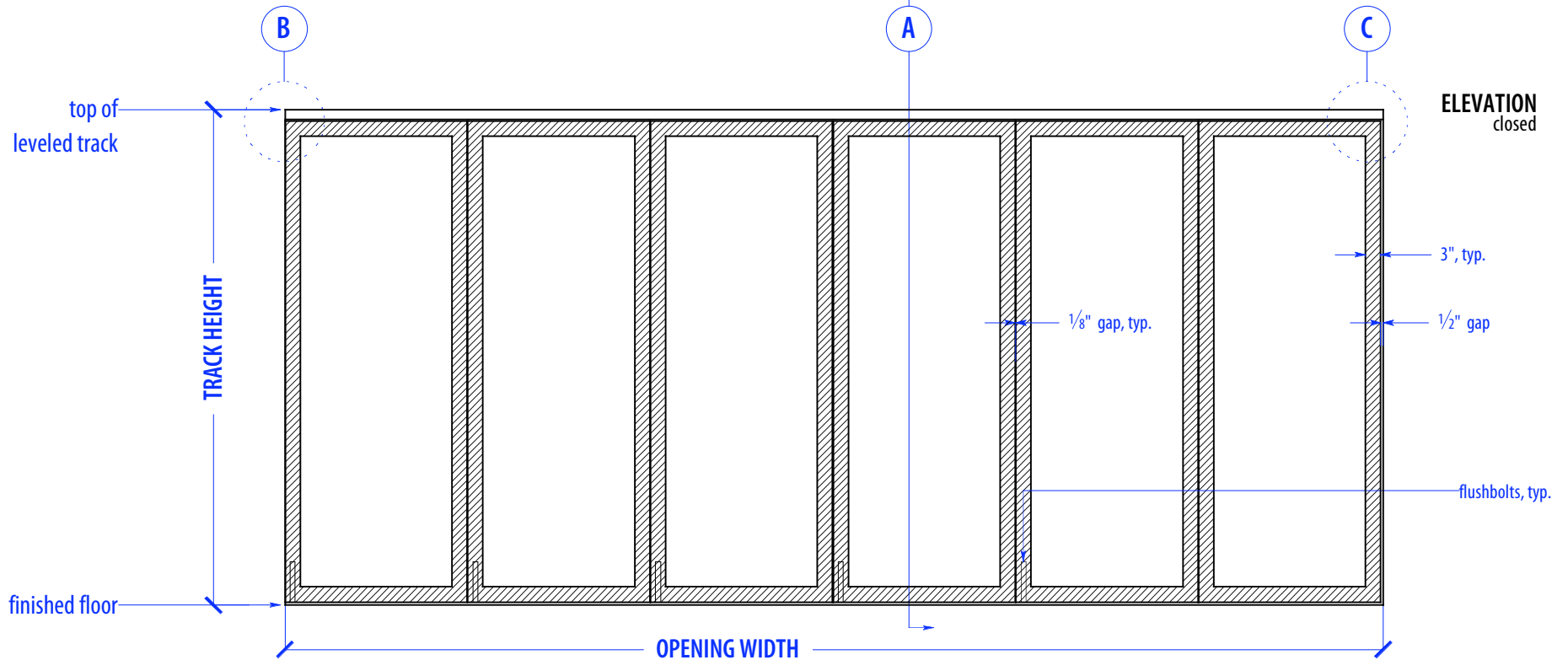
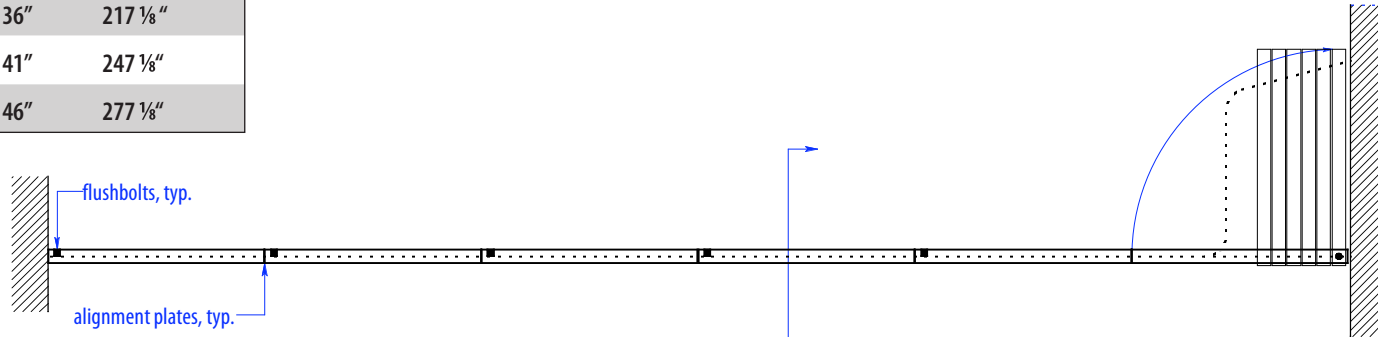


# SS PE5/PV1



| HEIGHTS |              |
|---------|--------------|
| Door    | Track Height |
| 80"     | 83"          |
| 92"     | 95"          |
| 104"    | 107"         |
| 116"    | 119"         |

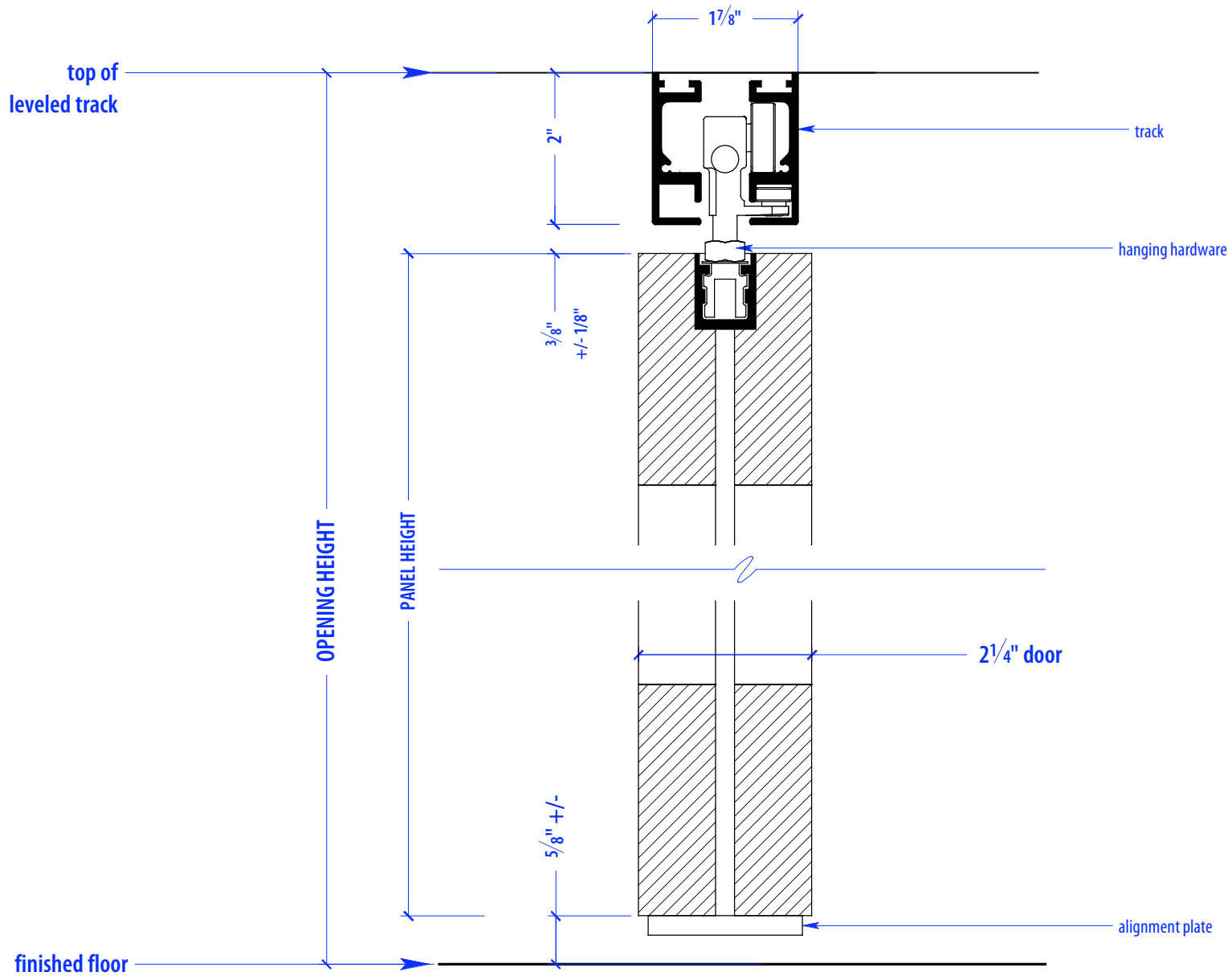
| WIDTHS |                  |
|--------|------------------|
| Door   | Finished Opening |
| 36"    | 217 1/8"         |
| 41"    | 247 1/8"         |
| 46"    | 277 1/8"         |





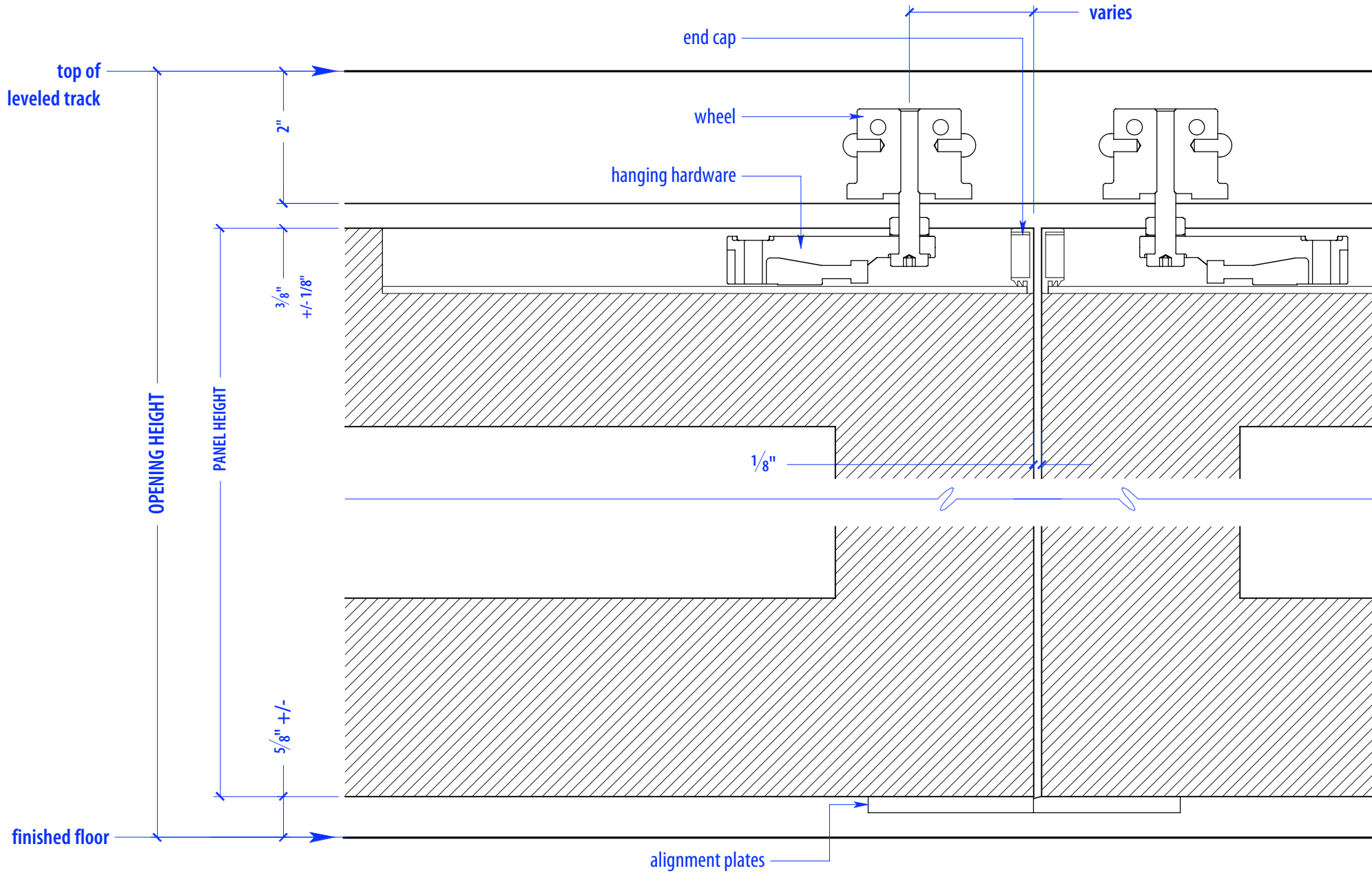
## SECTION A

NOTE: each panel weighs approx.  
75-110 lbs. Secure tracks to  
blocking accordingly



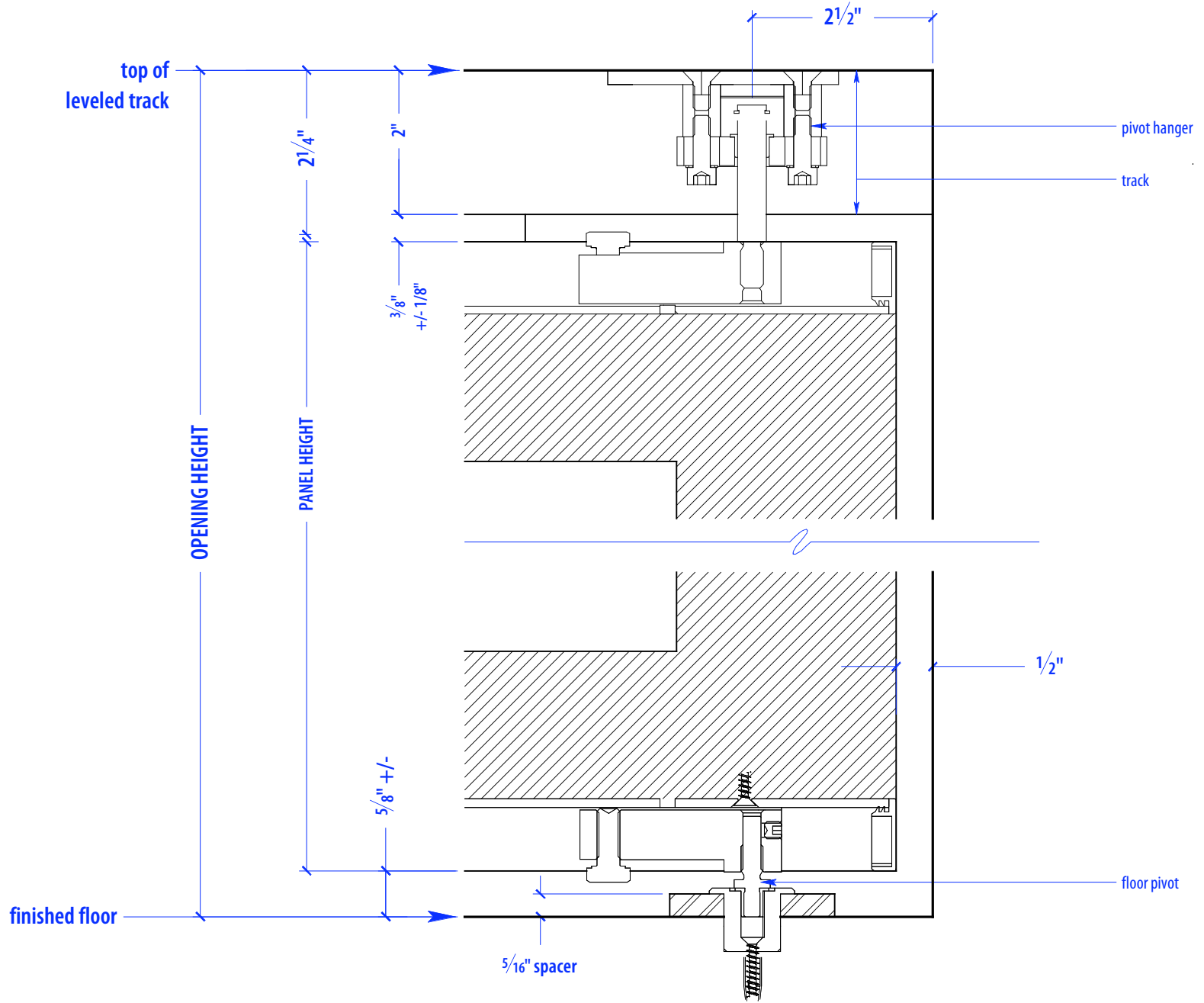


## DETAIL B



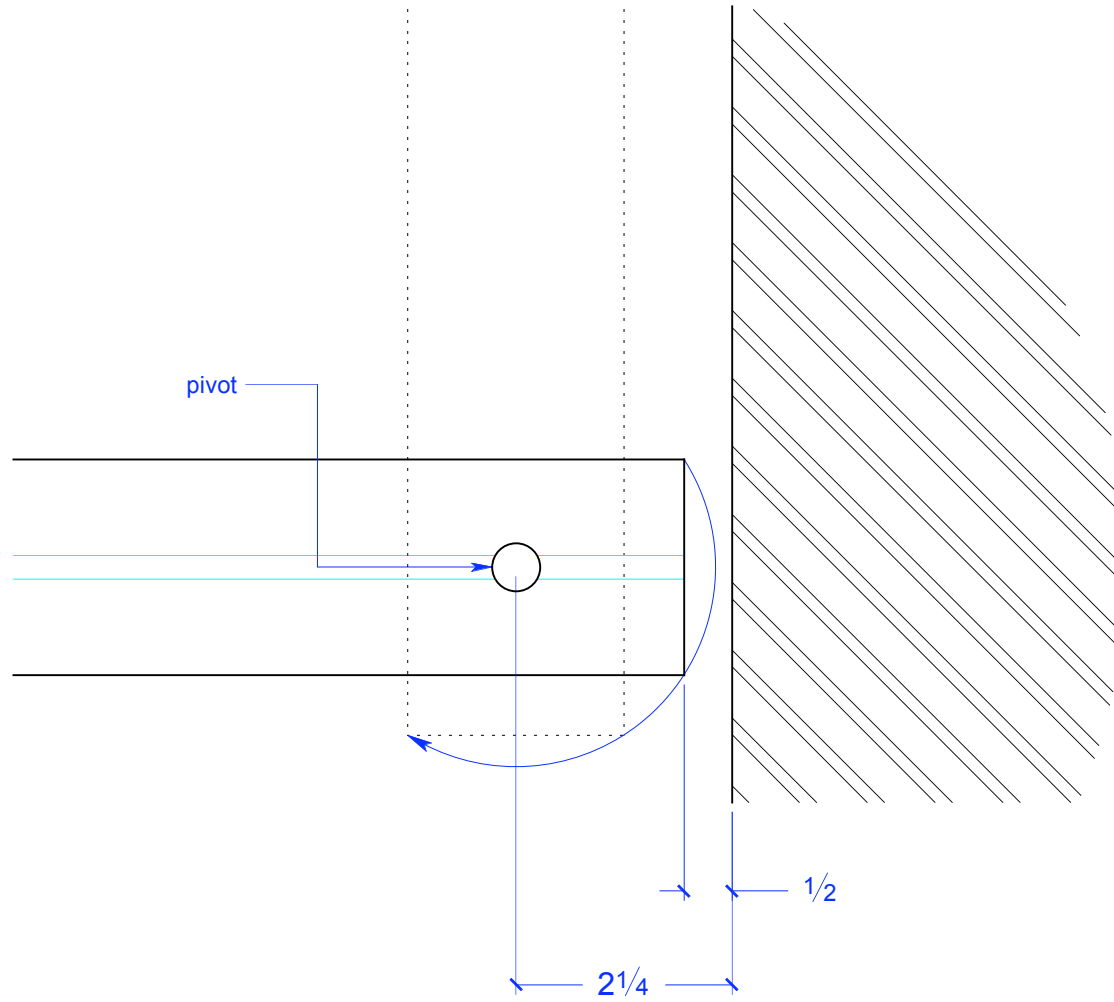


## DETAIL C





PLAN VIEW PIVOT DETAIL





# OPERATION OVERVIEW

©2010 RAYDOOR

SSPE / PV

SCALE:  $\frac{3}{8}'' = 1'0''$

