

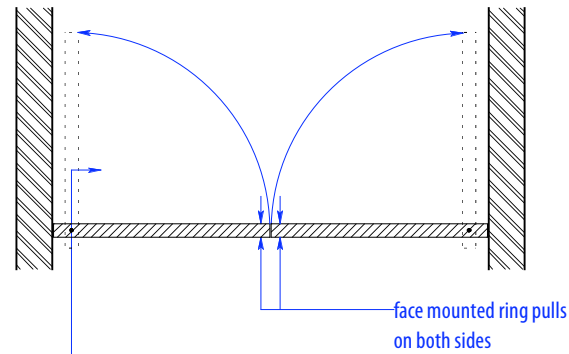
# PV2S-Center Pivot



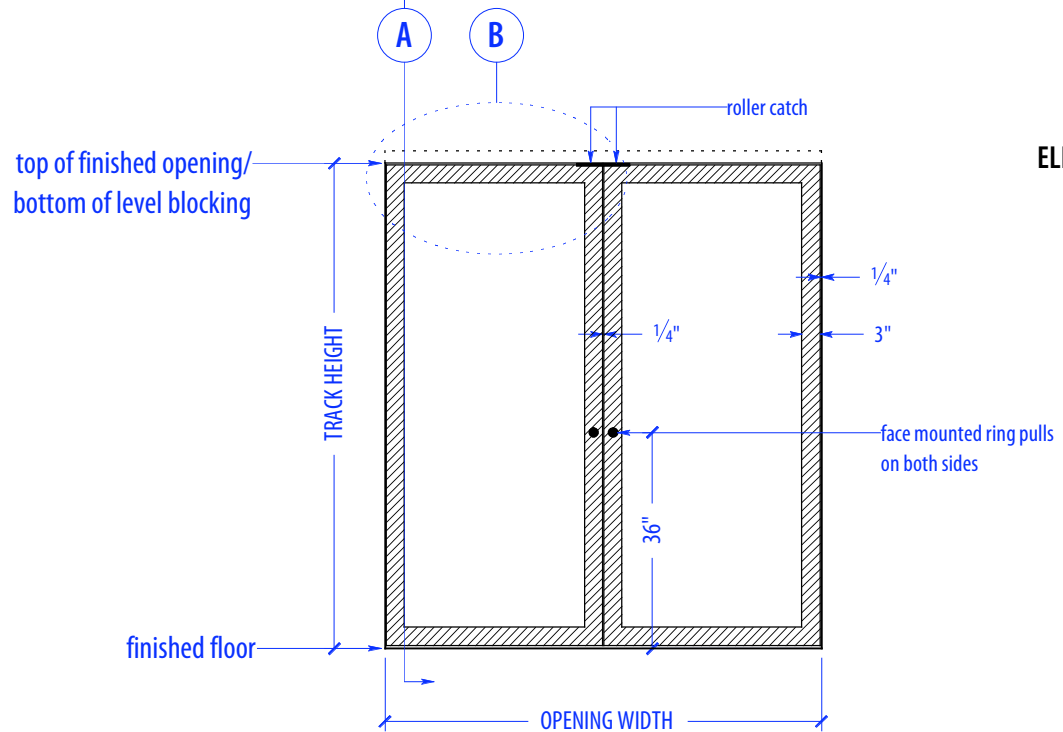
HEIGHTS	
Door	Finished Opening
80"	80 7/8"
92"	92 7/8"
104"	104 7/8"
116"	116 7/8"

WIDTHS	
Door	Finished Opening
36"	72 3/4"
41"	82 3/4"
46"	92 3/4"

PLAN  
closed



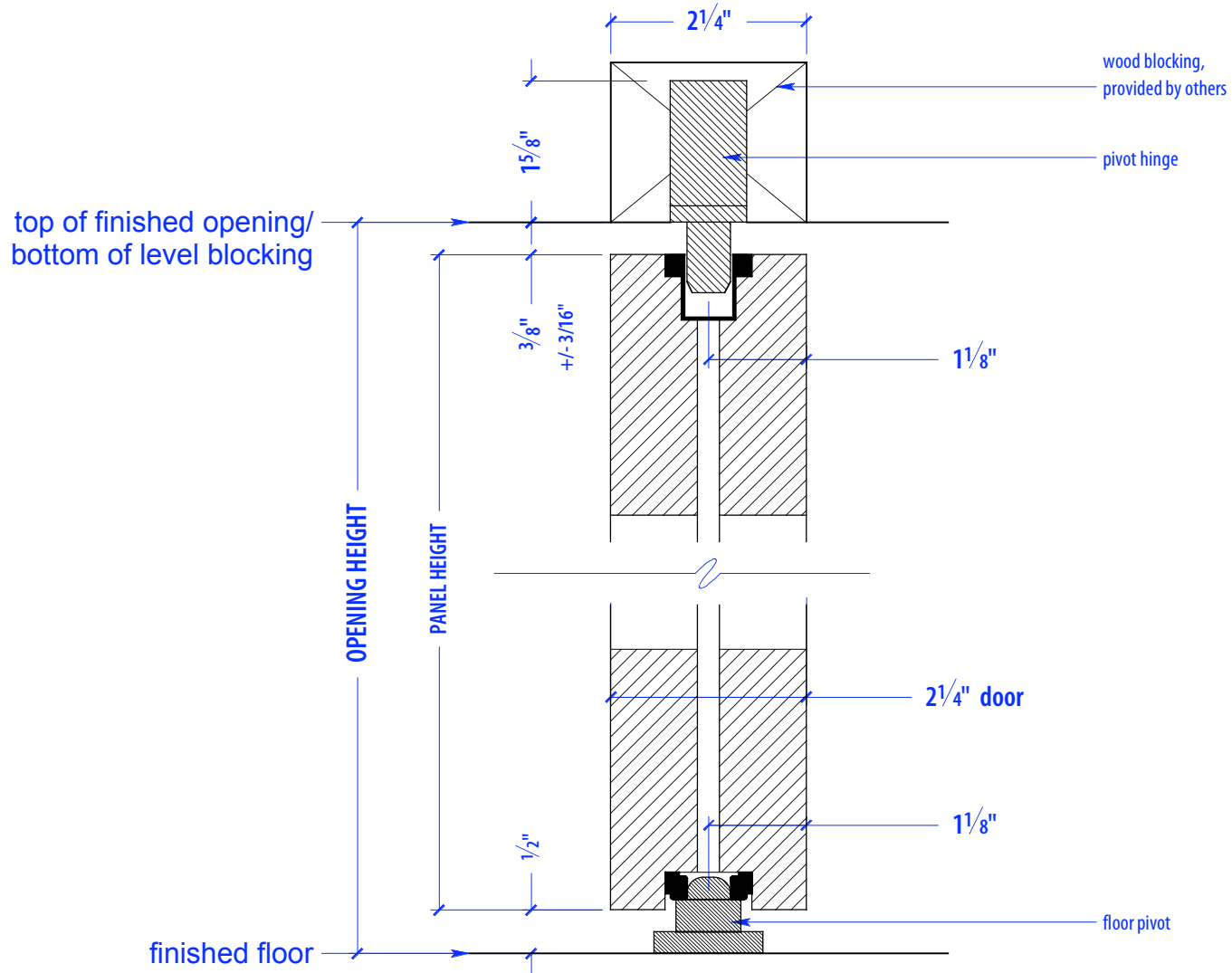
ELEVATION  
closed



# PV2S-Center Pivot



NOTE: each panel weighs approx. 75-110 lbs.  
Secure to blocking accordingly



# PV2S-Center Pivot



NOTE: each panel weighs approx. 75-110 lbs.  
Secure to blocking accordingly

