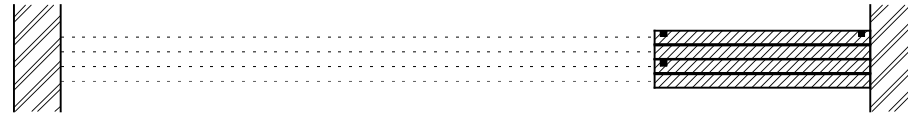


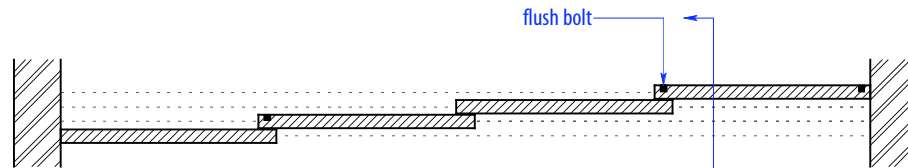


HEIGHTS		
Door	Standard Track Height	Low Profile Track Height
80"	83"	82 1/4"
92"	95"	94 1/4"
104"	107"	106 1/4"
116"	119"	118 1/4"

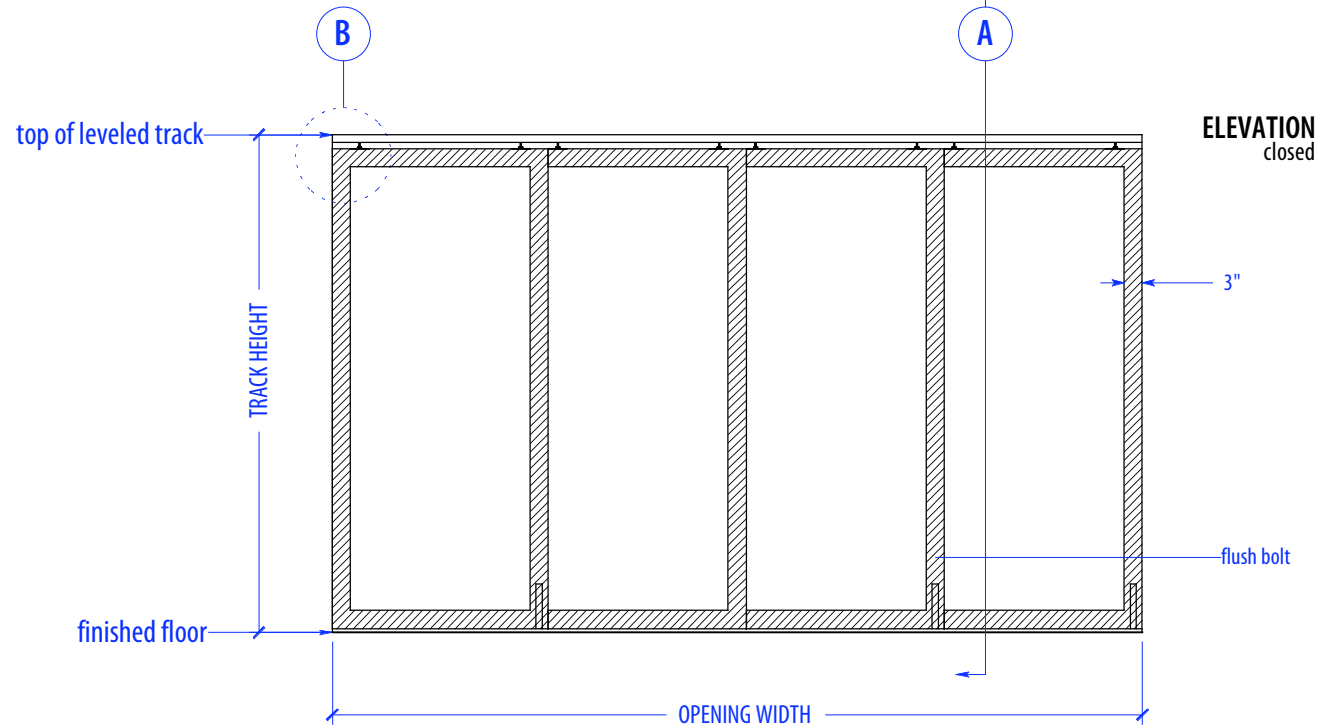
WIDTHS	
Door	Finished Opening
36"	135"
41"	155"
46"	175"



PLAN
open



PLAN
closed



ELEVATION
closed



NOTE: each panel weighs approx. 75-110 lbs.
Secure tracks to blocking accordingly

SECTION B

