



1. SPECIFY OPENING

room _____

FOR INTERNAL USE

Job Number _____

Job Name _____

2. ADDITIONAL HARDWARE

any upgrades chosen that are not on your estimate will be an additional cost

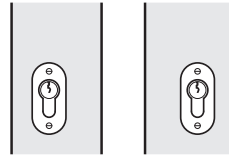
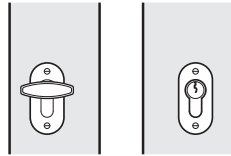
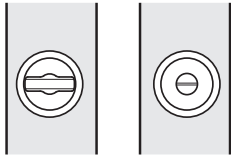
PRIVACY LOCK *choose one*

none

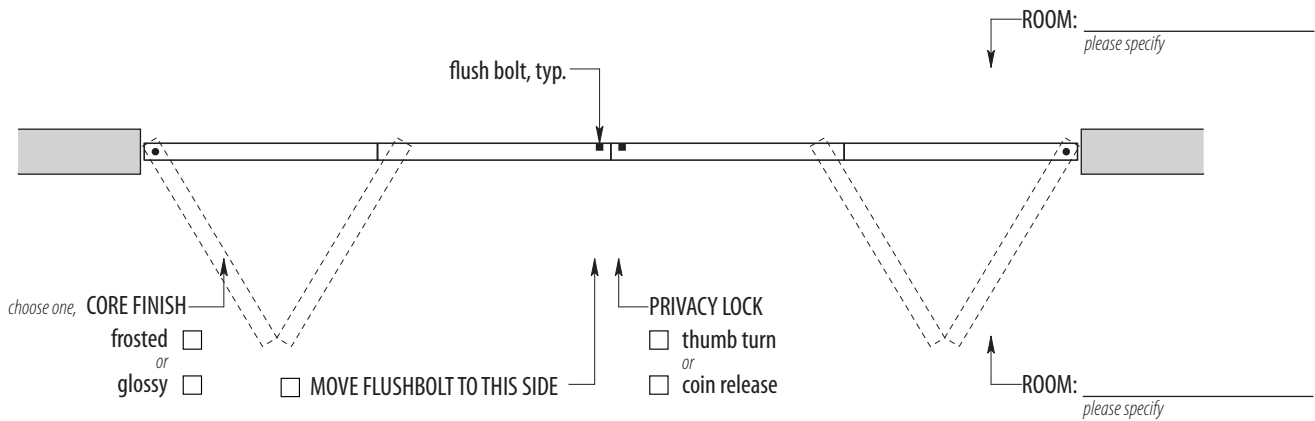
style KA
thumb turn/coin release

style AGB
thumb turn/key

style AGB
key/key



3. ORIENTATION & PLACEMENT



4. SIGNATURE

sign _____

date _____