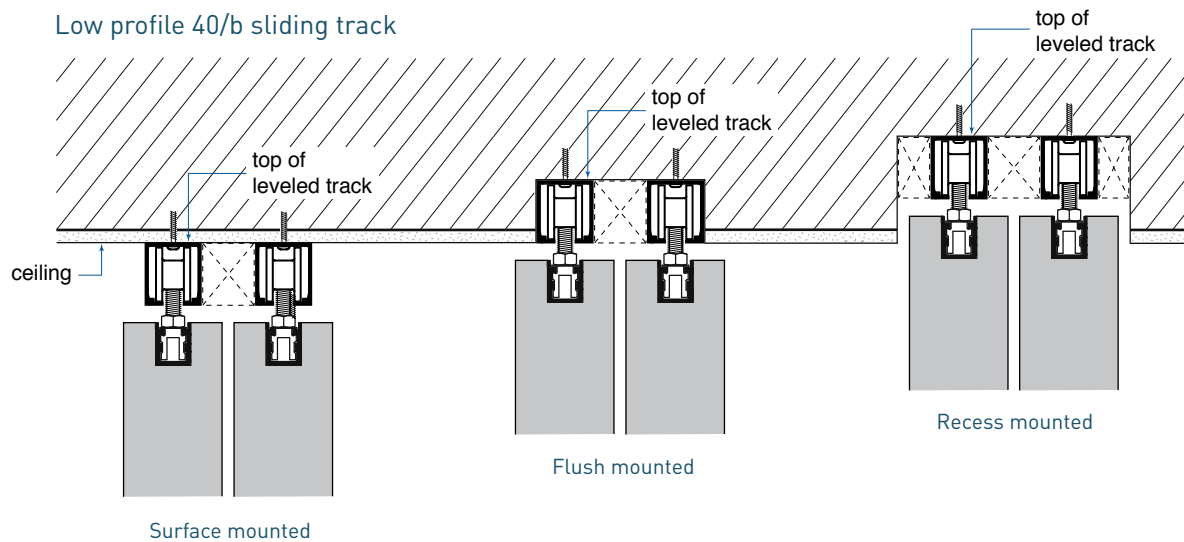
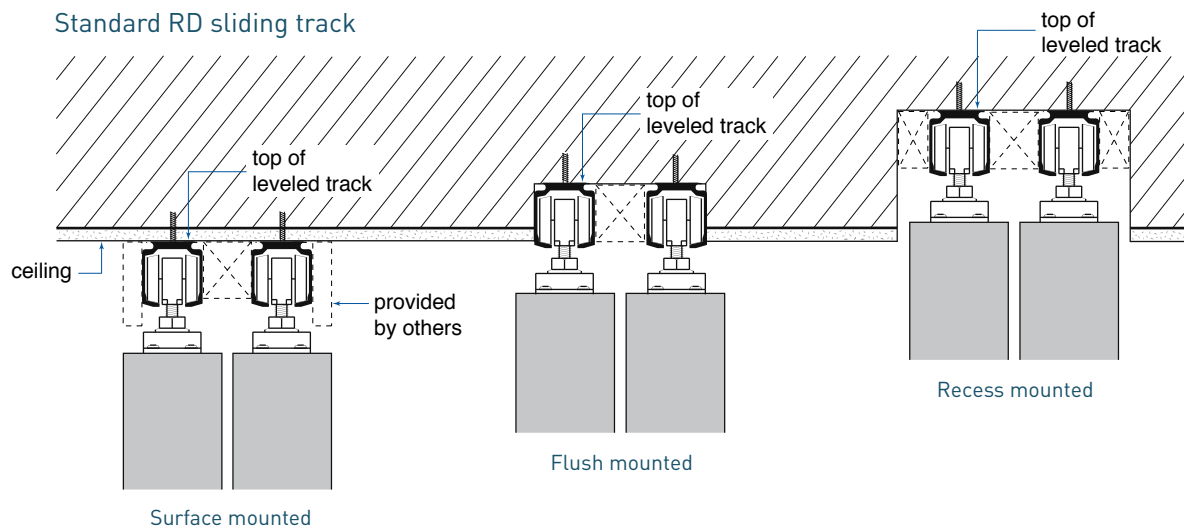


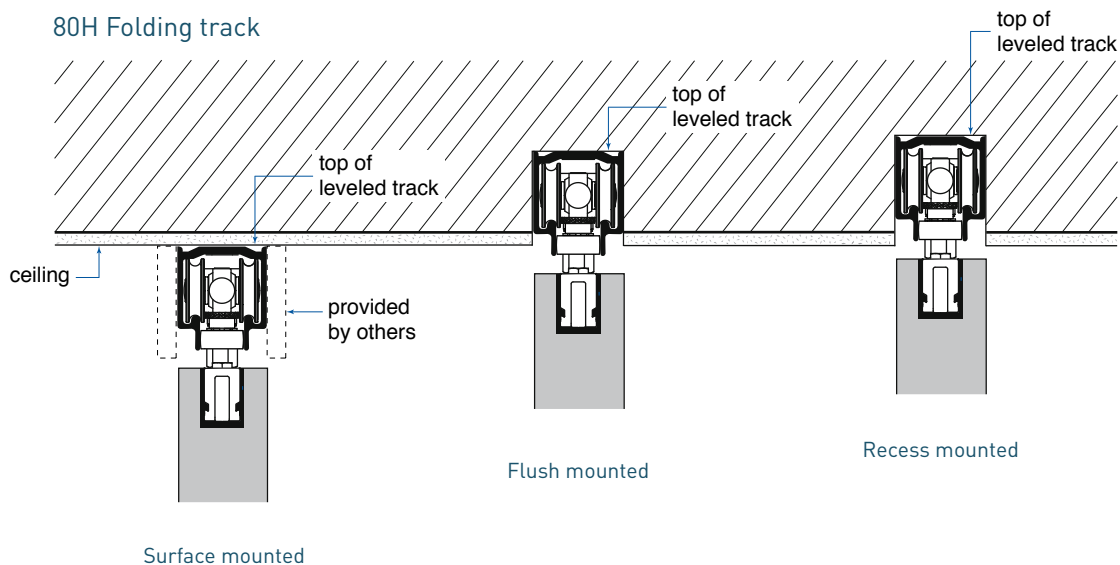
# MOUNTING OPTIONS

## Surface, Flush, Recess and Wall Mounting Options

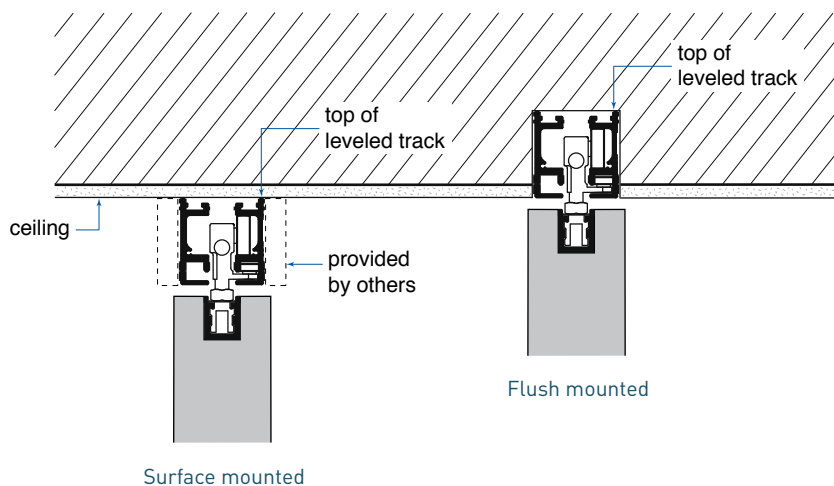
Mounting options depend on the desired install aesthetic or structural limitations (as with post tension concrete ceilings, etc.) Regardless of installation type, system height measurements are always from top of leveled track (may or may not coincide with ceiling height). (Installers can place blocking in spaces between tracks and install fascia to minimize track visibility.)



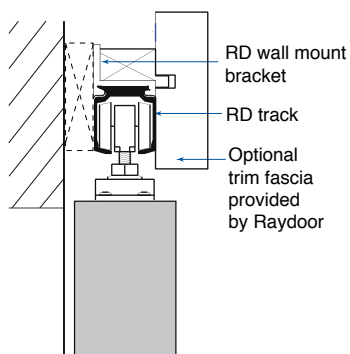
### 80H Folding track



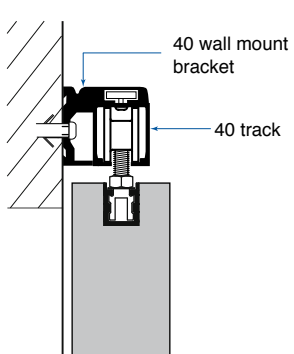
### 60/H Sliding Stacking track



### Standard RD Sliding track



### Low profile 40/b Sliding track



#### Wall mounting

Our standard RD sliding track and our low profile 40/b track can be wall mounted using brackets. Only available for S1 and S2S systems.